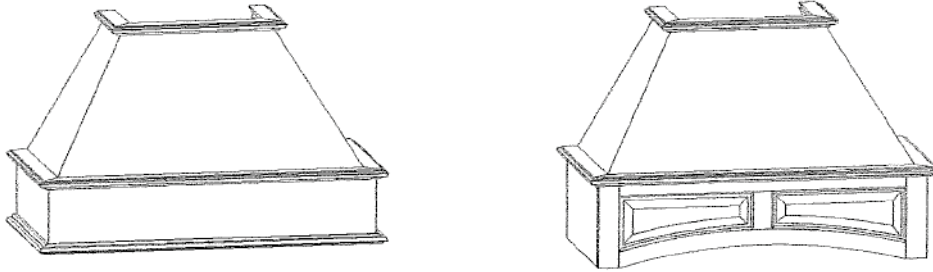


## WALL MOUNTED RANGE HOOD SYSTEM

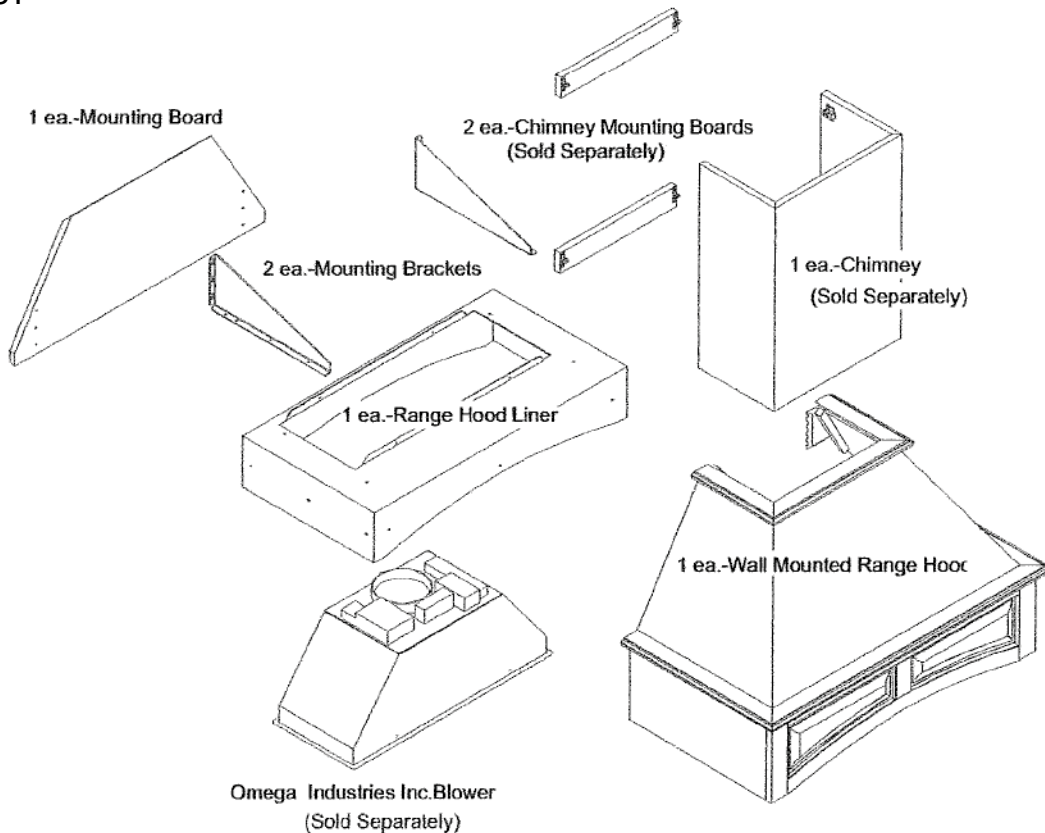


Patent Pending

### IMPORTANT NOTES

- Always read the instructions completely and carefully before beginning assembly.
- Remove and check contents for damage and/or missing parts. Keep the original cartons and packing materials, which are required for any authorized adjustment by our dealers.
- These instructions are for reference only. Make sure installation procedures comply with all applicable building codes in your area.

### PARTS LIST

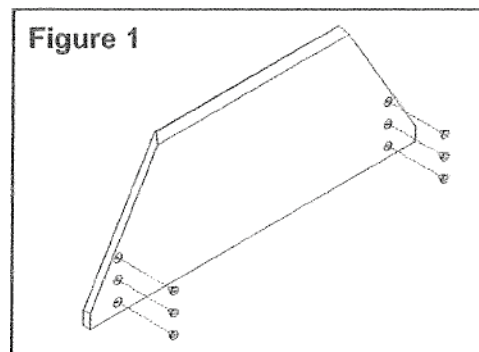


1 ea. - Hardware Pack

## ASSEMBLY INSTRUCTIONS

### STEP 1:

Install six tee nuts into the counter bored holes located on the back of the mounting plate. Hammer them flush to the surface. **(See Figure 1).**

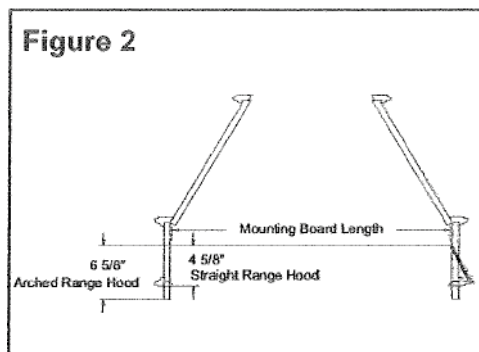


### STEP 2:

Draw a level line on the wall centered to where the range hood will be installed above where the bottom of the range hood will be. **(See Figure 2).**

**Arched Range Hood: 6-5/8" | Straight Range Hood: 4-5/8"**

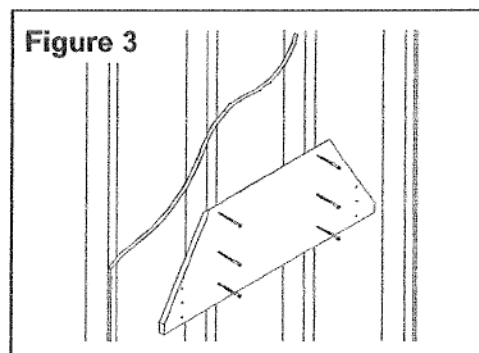
A distance of 30 inches from the stove top to the wood range hood is recommended, however; checking your local building codes and regulations is advised.



### STEP 3:

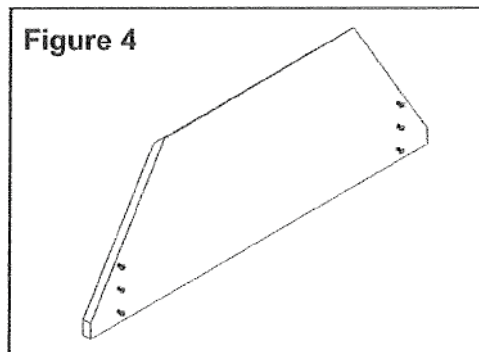
Align the bottom of the mounting plate to the line on the wall **(See Step 2)** and attach the mounting plate to the wall with screws. Make sure to hit at least two studs and to use at least six screws of sufficient size and length for the application. **(See Figure 3).**

**WARNING: Failure to fasten this panel to studs or using the wrong screws may cause a failure of the mounting system and possible injury.**



### STEP 4:

Start six 10-24 x 3/4" screws into the tee nuts that were previously installed. **(See Figure 4).**



### STEP 5:

Insert the blower into the liner from below. Insert four 8-32 x 1/2" screws into the four holes in the side of the blower and secure with square nuts. (See Figure 5).

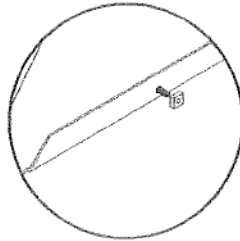
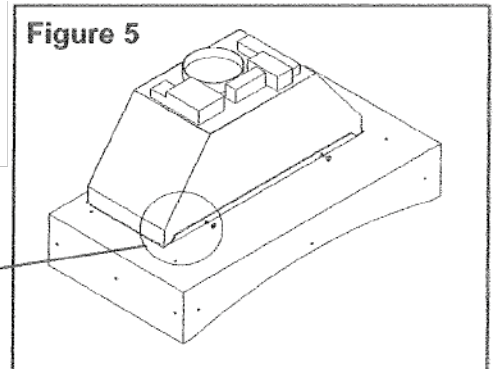


Figure 5



### STEP 6:

Fasten the metal mounting brackets to the liner with four 10-24 x 3/4" screws and nuts. Only hand tighten these at this time. (See Figure 6).

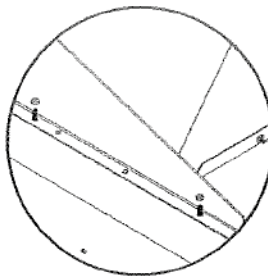
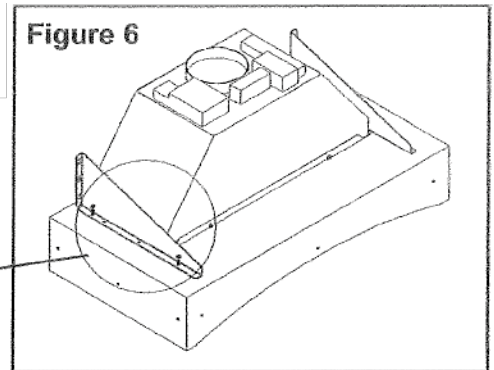


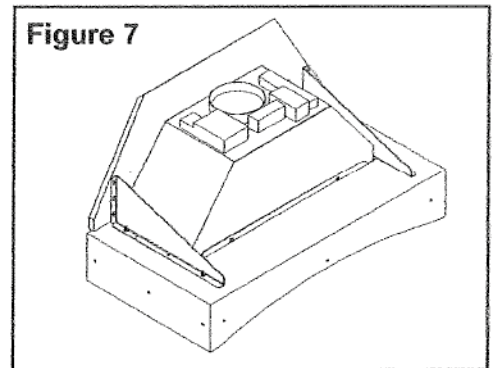
Figure 6



### STEP 7:

Lift the liner, blower, and mounting bracket assembly into position and hang them on the screws extending from the mounting plate. (Seek help lifting if necessary). Ensure that the brackets are firmly seated into the key hole slot and tighten all of the screws. (See Figure 7).

Figure 7

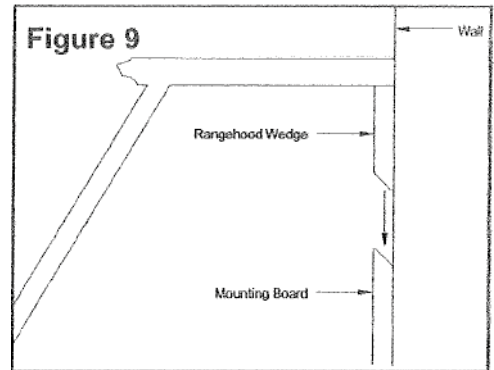


### STEP 8:

Make sure that all ventilation and electrical connections are made at this time. These must be done in accordance to all applicable building codes and requirements in your area.

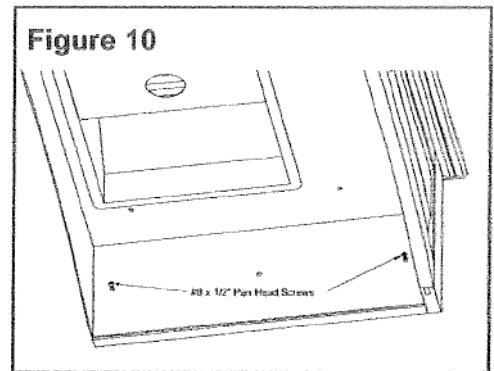
**STEP 9:**

Carefully position the wood range hood against the wall. **(See Figure 9).**



**STEP 10:**

Fasten the metal liner to the wood range hood using four #8 x 1/2" pan head screws. **(See Figure 10).**



24 River Road  
Bogota, NJ 07603  
1.800.631.8375  
[www.outwater.com](http://www.outwater.com)