

INSTALLATION GUIDE FOR PRE-MITERED PANEL FRAMES

Outwater's Trim Fast: Pre-Mitered Panel Frames are designed to make installing a beautiful panel moulding frame as easy as possible for DIYers, interior designers and contractors. These adhesive back panel mouldings are pre-cut, pre-mitered, and offer an adhesive backing eliminating the need for miter boxes, saws, nails, and glue.

REQUIRED TOOLS



Tape Measure



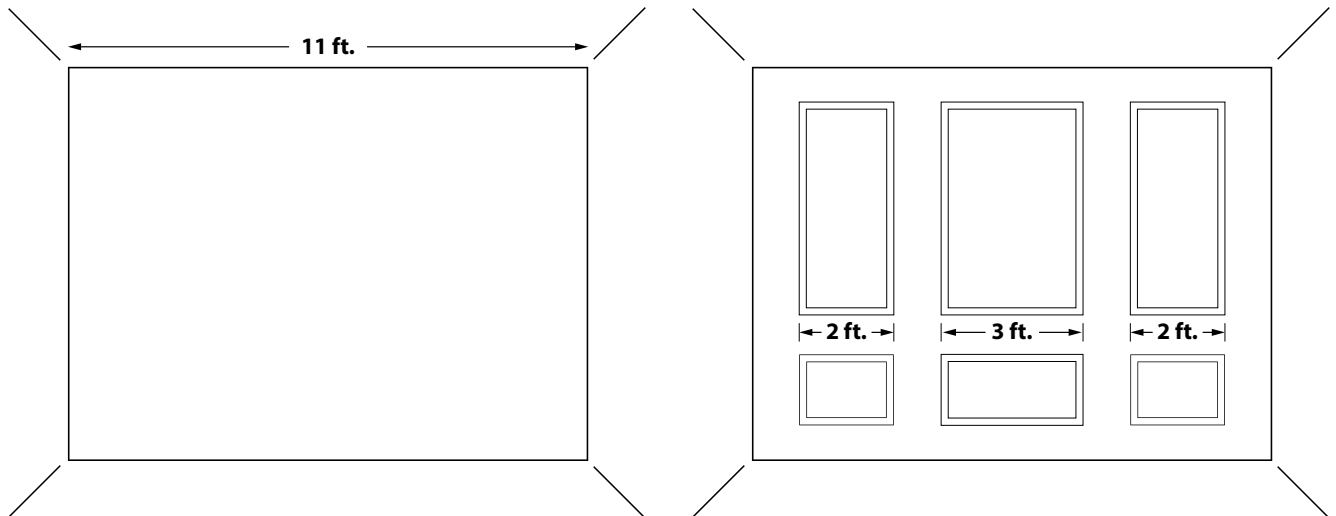
Level



Pencil

PLANNING YOUR WALL

Before installing the Trim Fast: Panel Frames, it is recommended that you plan out where each panel will be placed on the wall and the amount of space that will be between each panel frame.

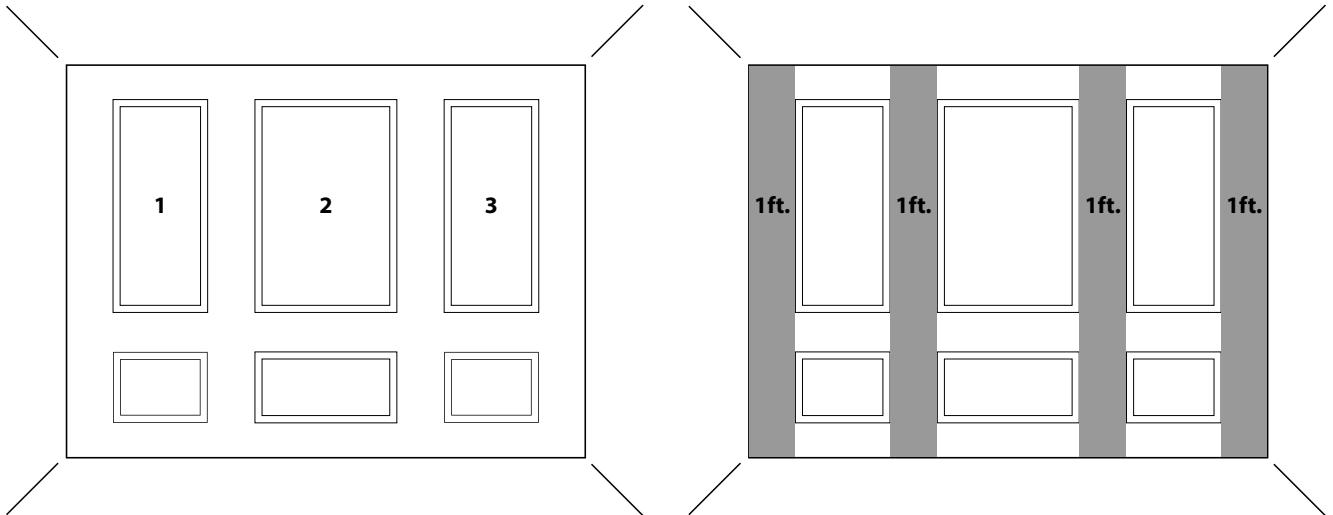


1. Begin by measuring the length and height of your wall. **In our example, the wall is 11ft. wide.**
2. We will now have to determine the area of the wall that will be occupied by the panels. To do this, add together the lengths of the bottom pieces of the frames. **In our example, we are using two 2ft. (24in.) lengths and one 3ft. (36in.) length.**

$$2\text{ft.} + 2\text{ft.} + 3\text{ft.} = 7\text{ft.}$$

PLANNING YOUR WALL (CONTINUED)

3. We've determined that 7ft. of our 11ft. wall will be occupied by the Trim Fast: Panel Frames leaving us with 4ft. of space between the panels. We now need to determine how to evenly distribute the remaining space.



4. To do this, add one to the total number of Trim Fast: Panel Frames that will be used. **In our example, three frames are being used.**

$$3 \text{ Frames} + 1 = 4$$

5. Divide the amount of space not occupied by the Trim Fast: Panel Frames from the sum you arrived at in Step 4. This will be the exact amount of space that will be between each Panel Frame. **In our example, 4ft. of space remained:**

$$4\text{ft.} \div 4 = 1\text{ft.}$$

Therefore, there will be 1ft. between each Trim Fast: Panel Frame.

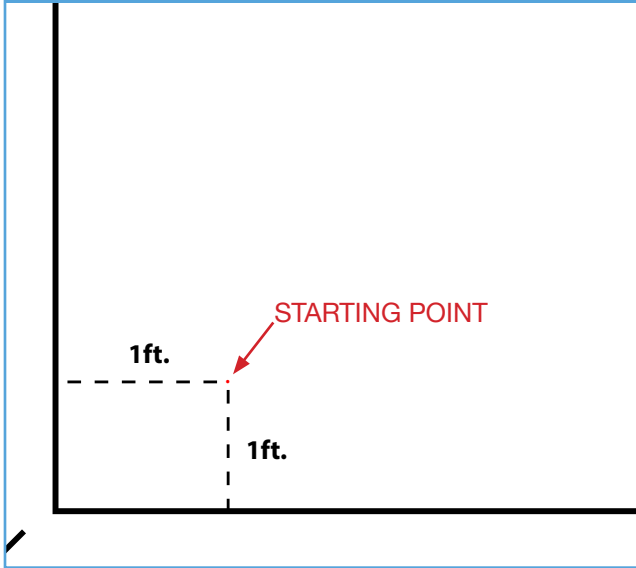
Of course, every wall will be a different width and the number of Trim Fast: Panel Frames that can occupy the wall will vary based on design preferences, however; the same process can be used to setup any combination of panels. This process can also be used to determine the vertical spacing between Panel Frames.

INSTALLATION

Now that we have designed the look of our wall and determined the spacing of the Trim Fast: Panel Frames, we can begin installation. **Please note that we will be using our “example” wall in this guide. While the Trim Fast: Panel Frames install the same way regardless of wall size, or the size of the panels, the size of your wall and how you choose to design your panel frames will vary. The measurements provided in this example installation are unique to this example. Please be sure to plan out your wall to determine the correct measurements for your installation.**

Prior to beginning installation it is recommended that you wipe down the wall with a damp cloth to remove any dirt or debris that could potentially affect the adhesive. **Do not begin installation until the wall is completely dry.**

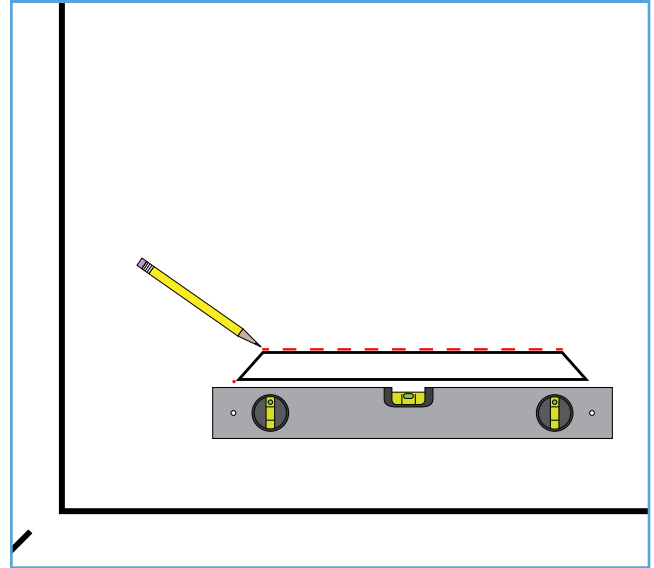
STEP 1:



We will begin from the lower left corner of the wall. Use your measuring tape and a pencil to mark the starting point for the base of the lower frame.

In our example the starting point would be 1ft. from the left edge of the wall and 1ft. from the floor.

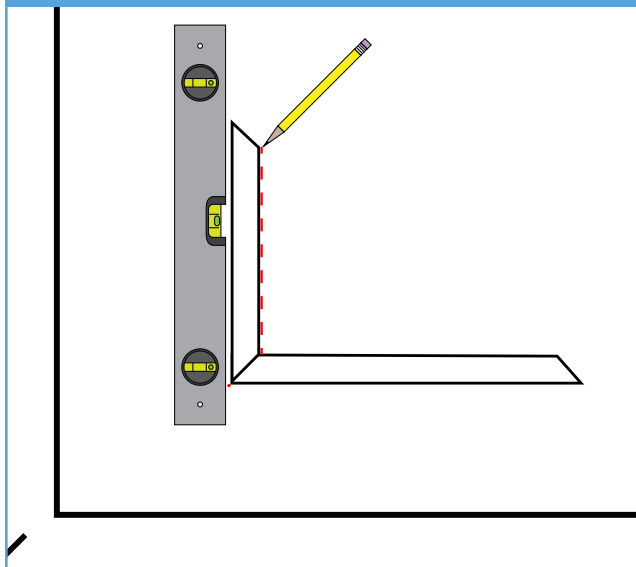
STEP 2:



Using the starting point as reference, place the bottom piece of the Panel Frame against the wall. Use a level to make sure the piece is perfectly straight and with the pencil, lightly draw a line across the length of the inside edge of the trim.

Remove the backing from the trim and use the line you've drawn on the wall as a guide to lightly adhere the trim to the wall. Use the level to confirm that the panel is completely straight. If so, apply pressure to adhere the panel to the wall. If your panel is not level, adjust it until it is.

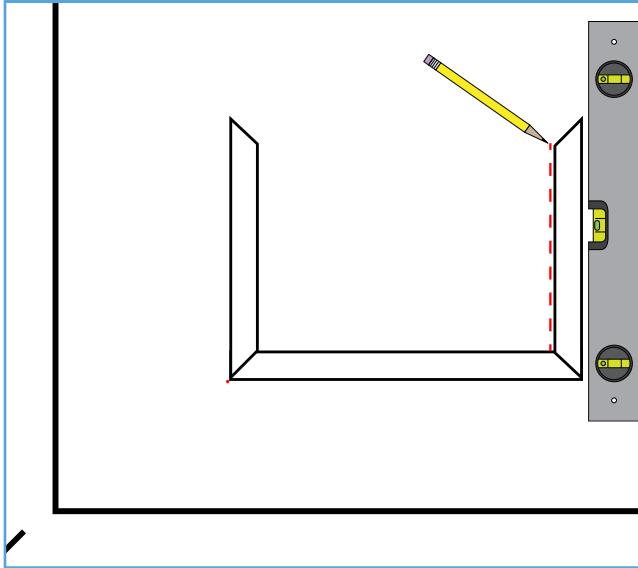
STEP 3:



Align the left side of the Panel Frame with the bottom trim to create a 45° angle. Use the level to ensure that the trim is vertical and draw a light line along the inner edge of the trim.

Remove the backing from the trim and use the line you've drawn on the wall as a guide to lightly adhere the trim to the wall. Use the level to confirm that the panel is completely straight. If so, apply pressure to adhere the panel to the wall. If your panel is not level, adjust it until it is.

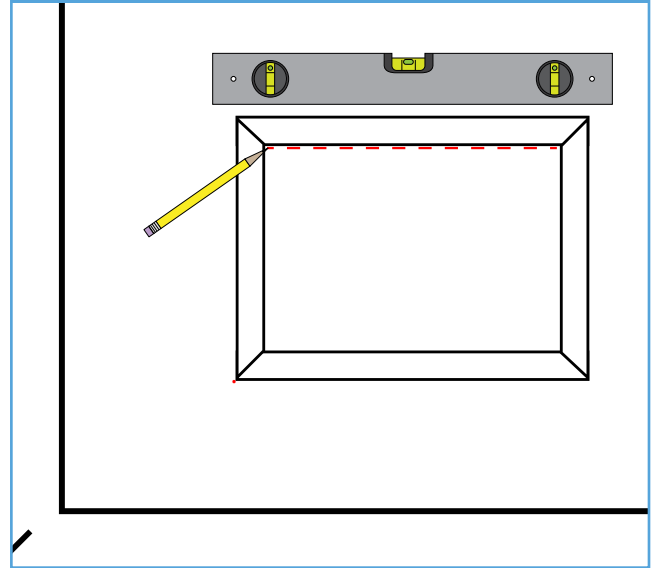
STEP 4:



Follow Step 2 to install the vertical trim on the right side of the frame.

Note: We recommend that you don't fully adhere the right side panel until you have also lightly installed the top of the frame. This will allow making adjustments easier if they are needed.

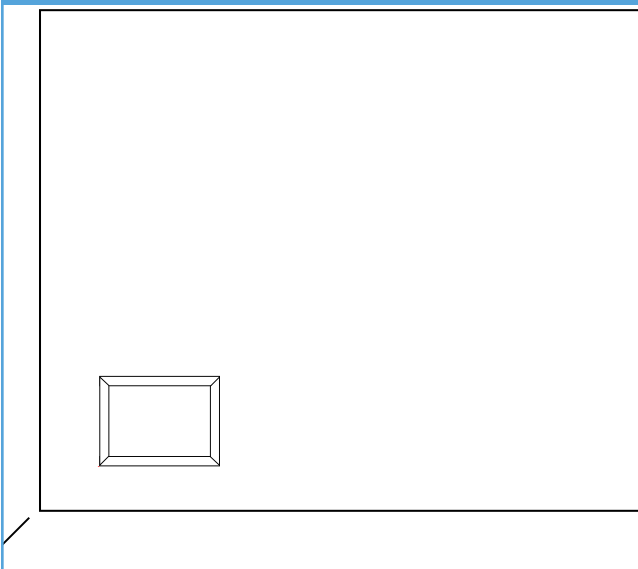
STEP 5:



Position the top piece of the Panel Frame to form the top corners of the panel. Use the level to ensure that the trim is horizontal and draw a light line along the inner edge of the trim.

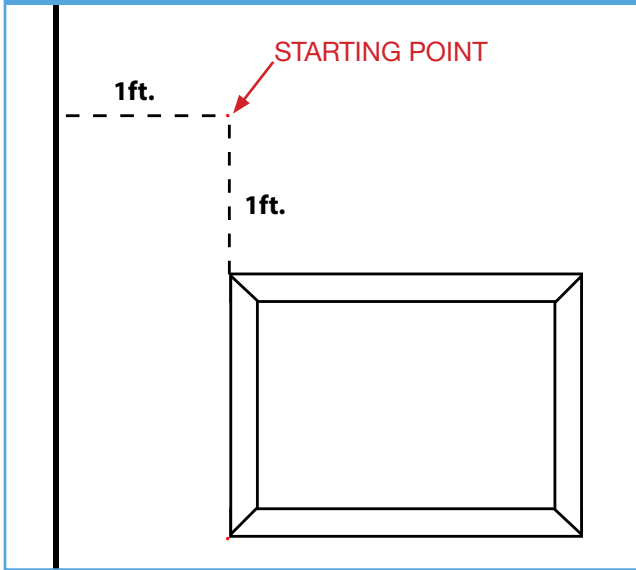
Remove the backing from the trim and use the line you've drawn on the wall as a guide to lightly adhere the trim to the wall. Use the level to confirm that the panel is completely straight. If so, apply pressure to adhere the panel to the wall. If your panel is not level, adjust it until it is.

STEP 6:



If all the trims are level and aligned, apply pressure to all of them to adhere them securely to the wall and finish the installation of the lower Panel Frame.

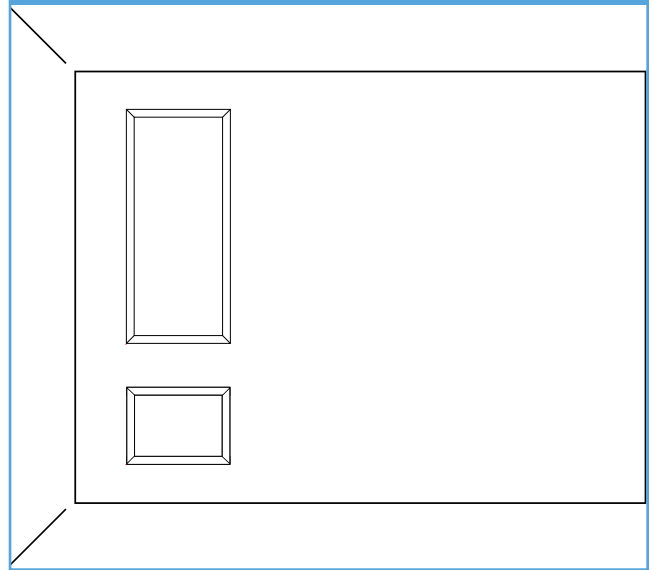
STEP 7:



As with the lower frame, we will need to determine the starting point for the upper frame. Use your measuring tape and a pencil to mark the starting point for the base of the upper frame.

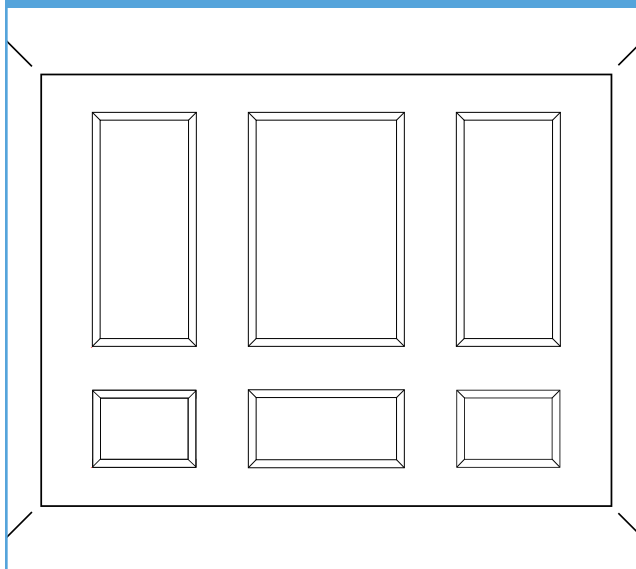
In our example the starting point would be 1ft. from the left edge of the wall and 1ft. from the top of the bottom panel.

STEP 8:



Once you have determined the starting point for the upper frame, repeat Steps 2-5 to install it.

FINISH



Refer to the dimensions on your wall plan and repeat Steps 2-5 to install the remaining wall panels.

A few additional notes:

While the Trim Fast: Panel Frames are designed to be mounted flush against the wall without gaps, some walls may be uneven and cause gaps to appear. If this happens, caulk can be used to fill the gap.

Trim Fast: Panel Frames are ready to paint.



Video Available