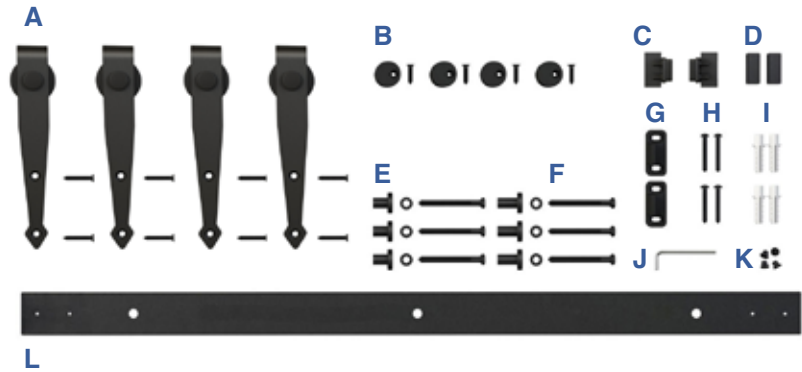


FURNITURE

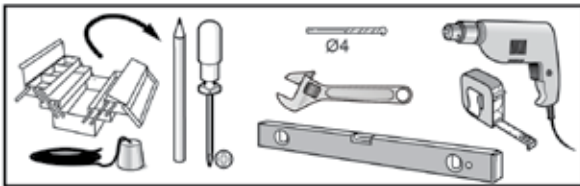
SLIDING DOOR HARDWARE

MODEL No. FSDH-ARWKT-*4-DD

INSTALLATION MANUAL



TOOLS REQUIRED



- Plumb Line
- Pencil
- Phillips Head Screwdriver
- 4mm Drill Bit
- Wrench
- Level
- Power Drill
- Tape Measure

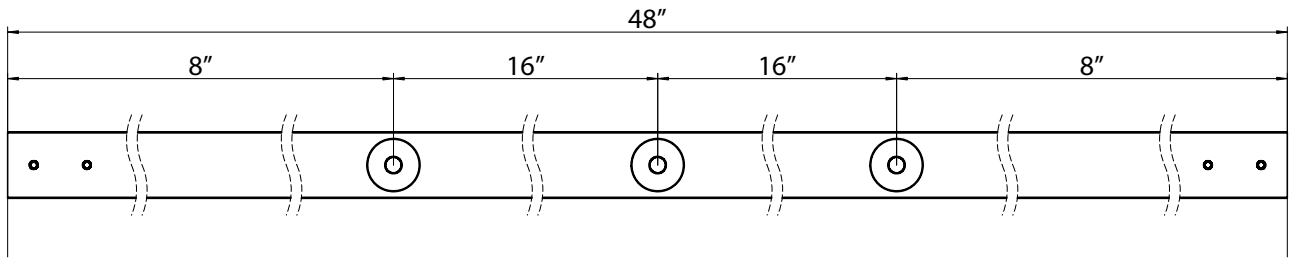
INCLUDED IN KIT

A	Door Roller Hardware	x4
B	Anti-Jump Disk	x4
C	Adjustable Door Stop Hardware	x2
D	End Cap	x2
E	Mounting Bracket for 3/4" and 1" Doors	x3 ea.
F	M6x60 Bolt + Washer	x6
G	Routed Door Guide	x2
H	ST4.2x35 Screw	x4
I	Anchor	x4
J	1.5mm Allen Key	x1
K	Hole Cover	x4
L	48" Rail	x1

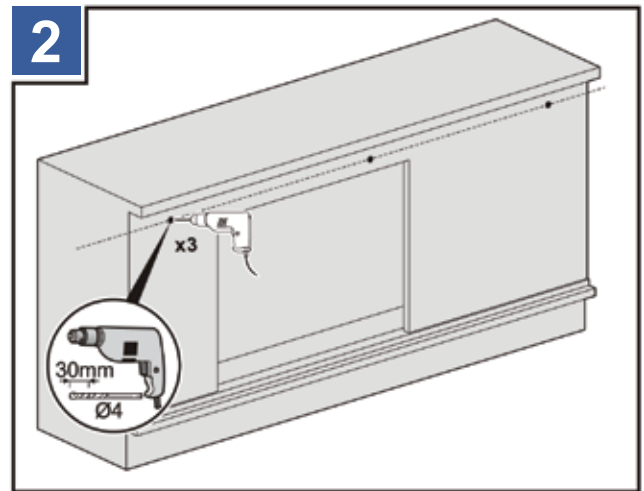
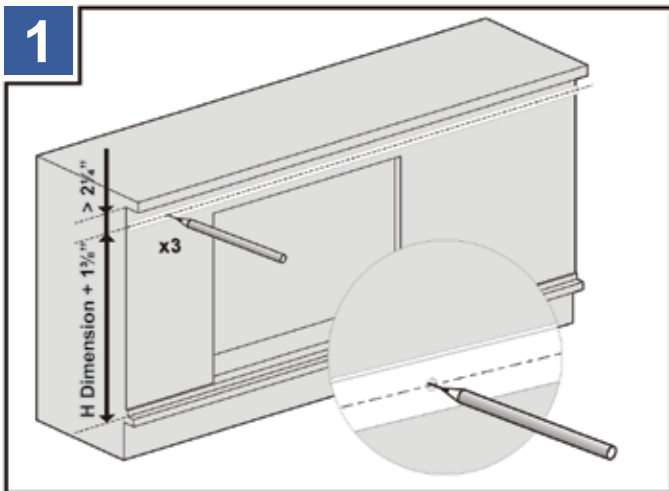
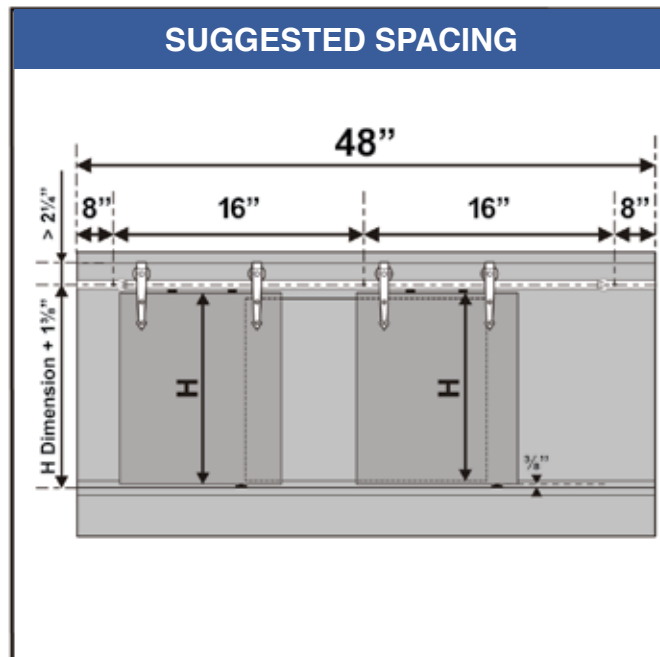
PLEASE NOTE: The installation manual is a suggested guideline. Adjustments may need to be made based on your specific application.

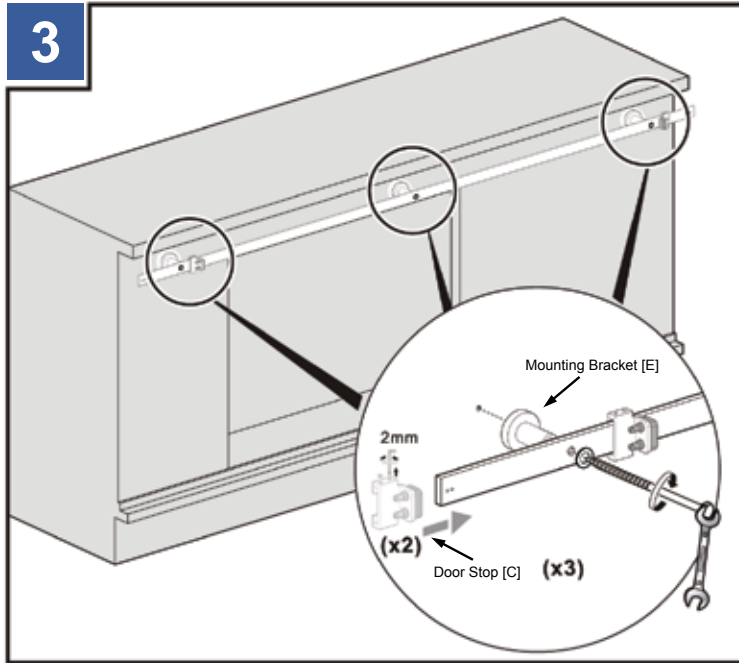
Outwater Industries, Inc. assumes no liability for improper installation.

UNDERSTANDING YOUR RAIL

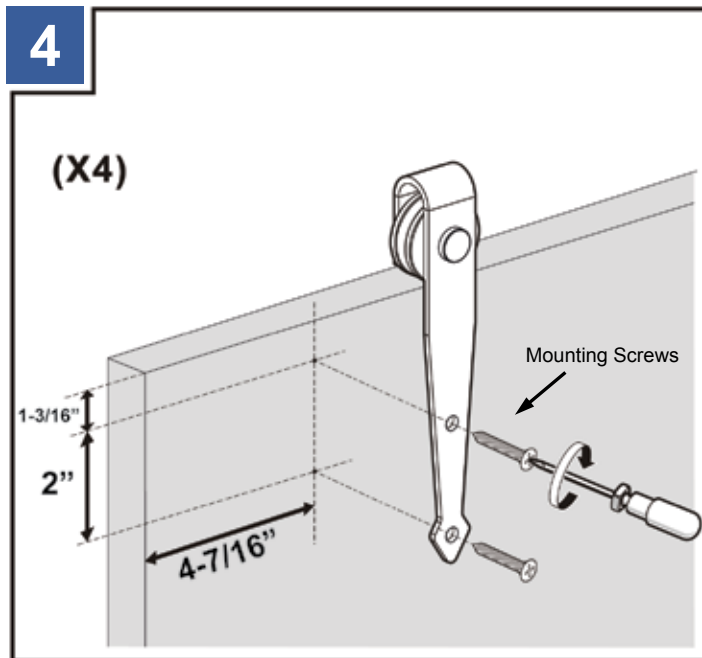


INSTALLATION





Attach the adjustable door stops [C] prior to securing the rail [L] to the Mounting Brackets [E],

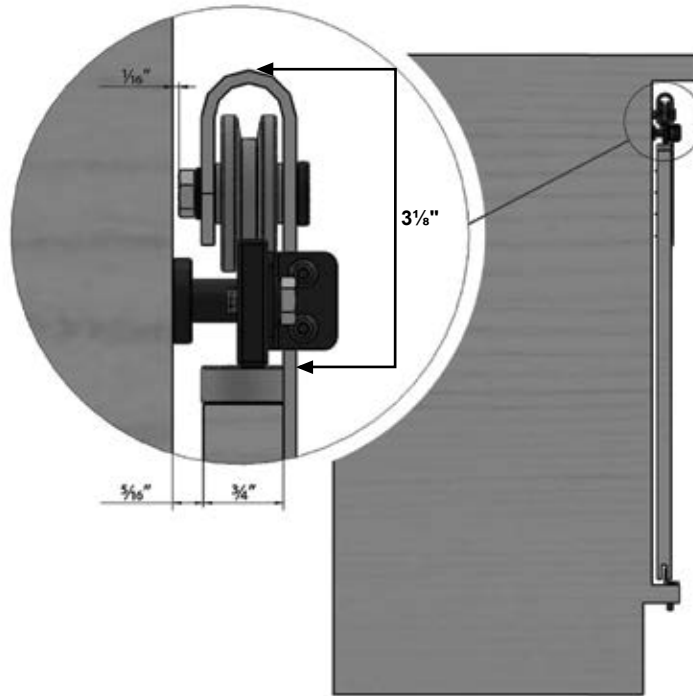


Drill holes into the doors as indicated. Attach the roller straps [A].

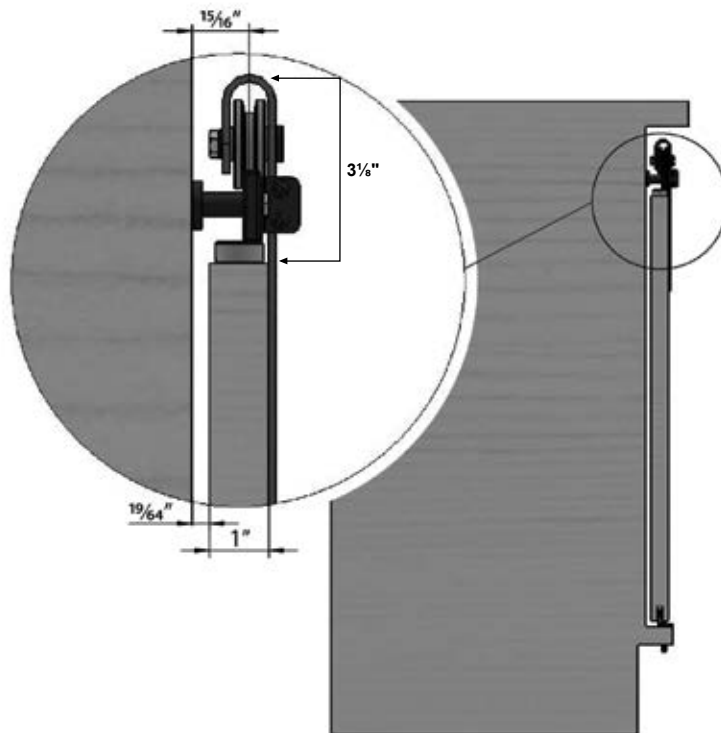
It is suggested that the roller straps [A] be mounted 4-7/16" from the edge of the doors to the neck of the roller straps.

NOTE: Trimming the rail will alter the position of the roller hardware. Adjust accordingly.

FOR 3/4" DOORS

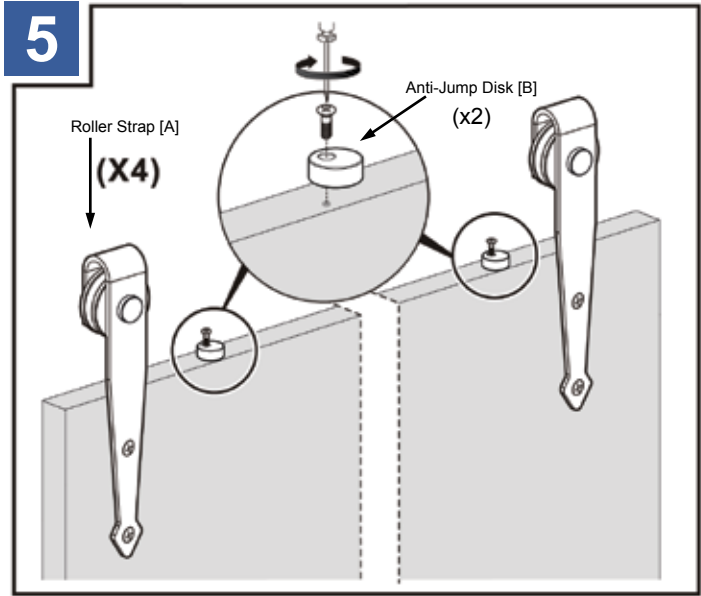


FOR 1" DOORS

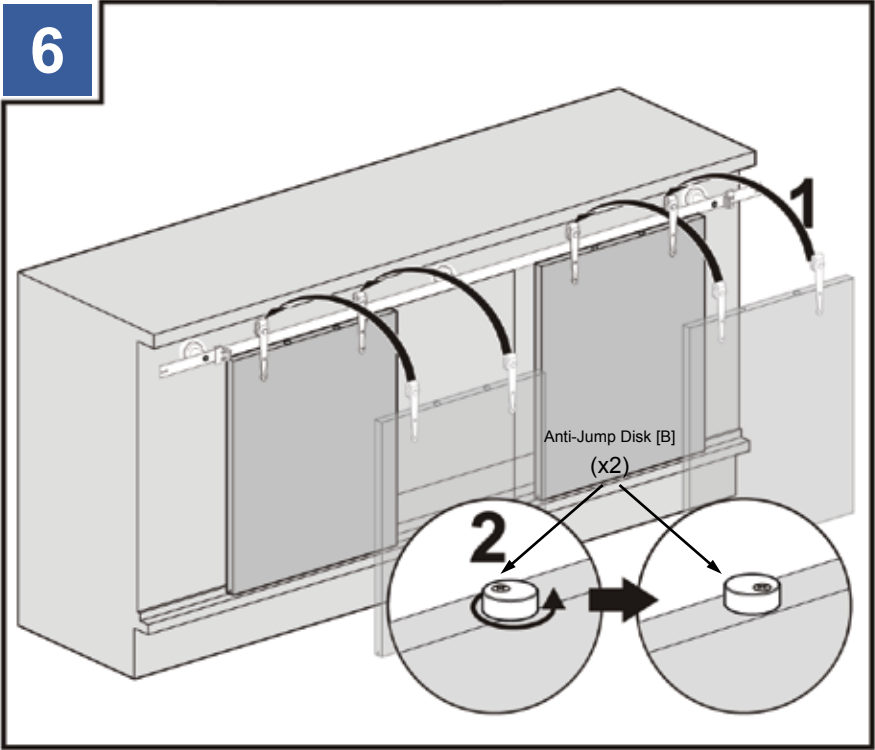


Allow a minimum 3-1/8" clearance above the doors.

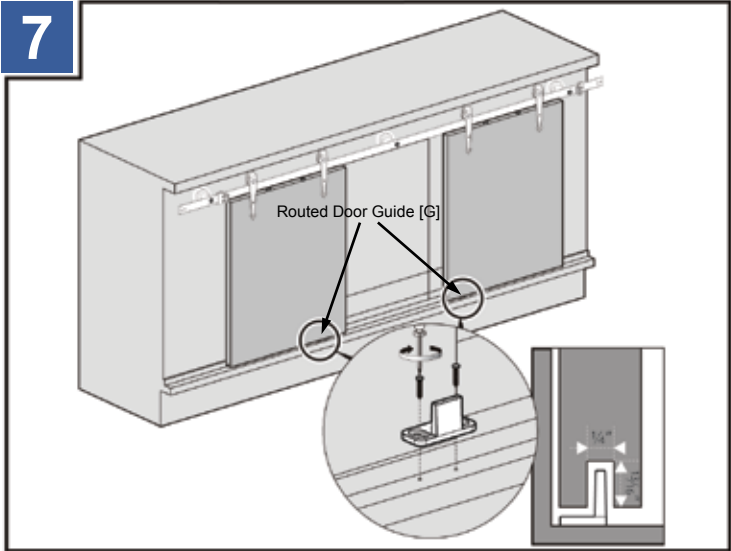
Outwater Industries, Inc. assumes no liability for improper installation.



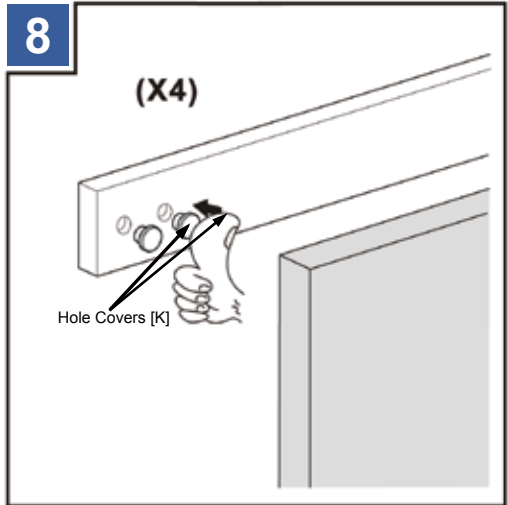
Attach the anti-jump disks [B] to the doors.



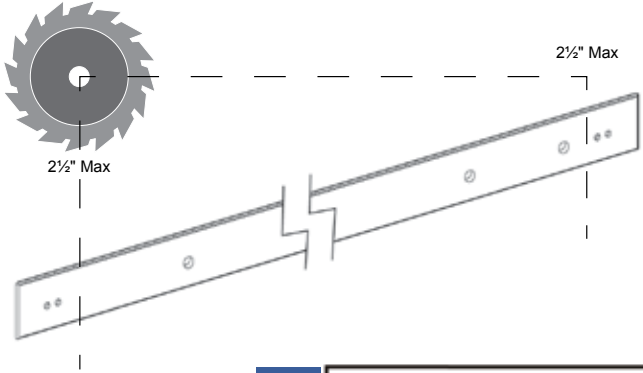
Attach the doors to the rail [L] and lock the anti-jump disks [B] into position. The doors should be routed beforehand if using the routed door guides [G].



If using the routed door guides [G], install them at this time. Repeat steps 3-6 for additional door.

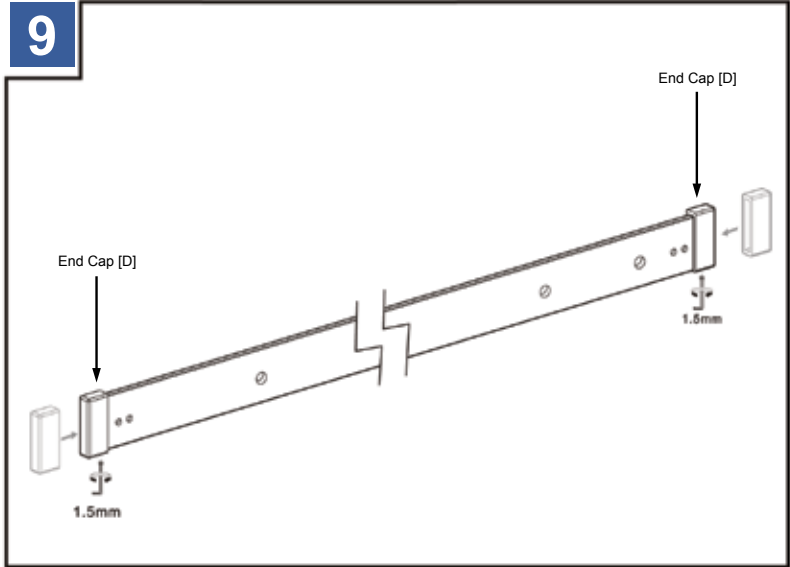


Use the hole covers [K] to give the rail a finished look.



The rail can be trimmed if necessary using a band saw or hacksaw. Use blades suitable for iron or stainless steel depending on your rail.

NOTE: If you are trimming the rail, do so equally. Each rail can be trimmed equally up to 6" on both sides. However; trimming will alter the position of the roller hardware. Adjust accordingly.



Once cut, add the end caps [D] to the ends of the rail and secure with a set screw.