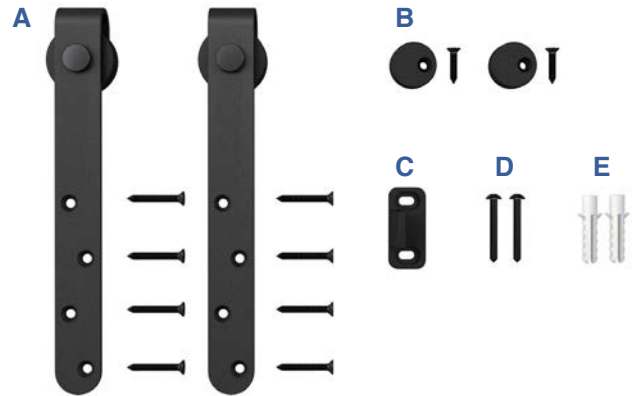


FURNITURE

SLIDING DOOR HARDWARE

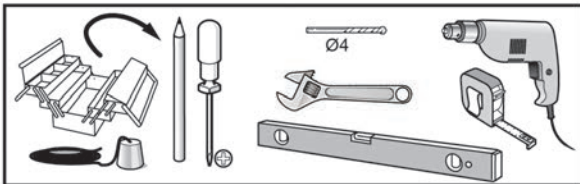
MODEL No. FSDH-STRAPS-*

INSTALLATION MANUAL FOR ADDITIONAL DOORS



TOOLS REQUIRED

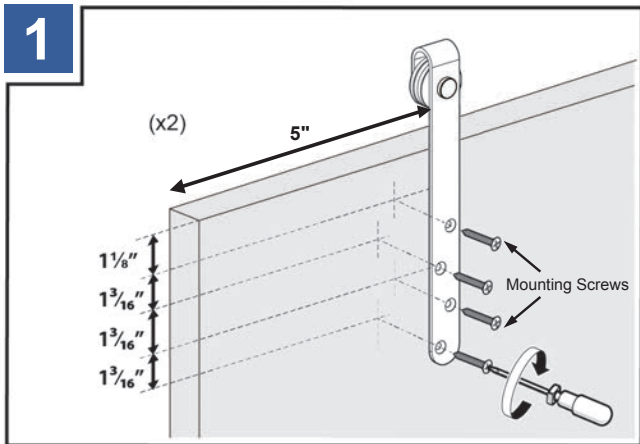
INCLUDED IN KIT



- Plumb Line
- Pencil
- Phillips Head Screwdriver
- 4mm Drill Bit
- Wrench
- Level
- Power Drill
- Tape Measure

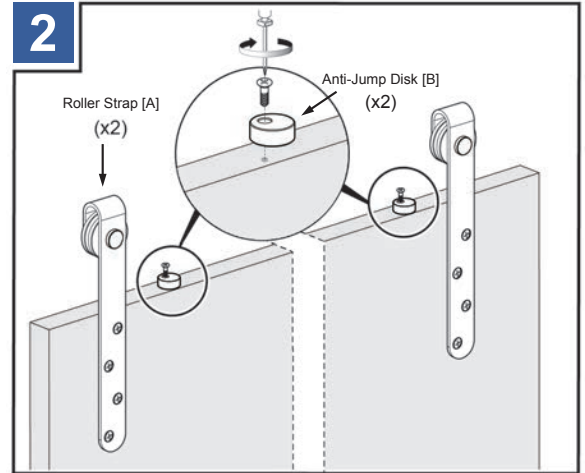
A	Door Roller Hardware	x2
B	Anti-Jump Disk	x2
C	Routed Door Guide	x1
D	ST4.2x35 Screw	x2
E	Anchor	x2

INSTALLATION

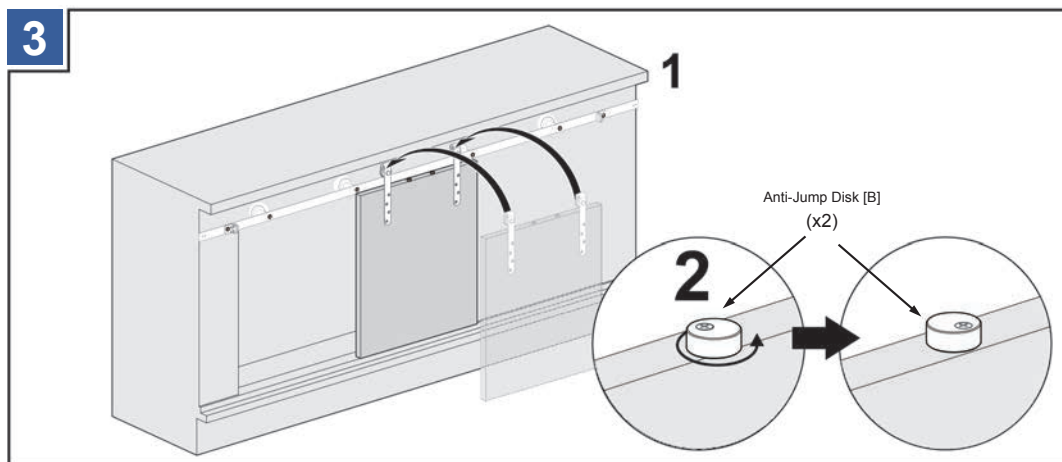


Drill holes into the doors as indicated. Attach the roller straps [A].

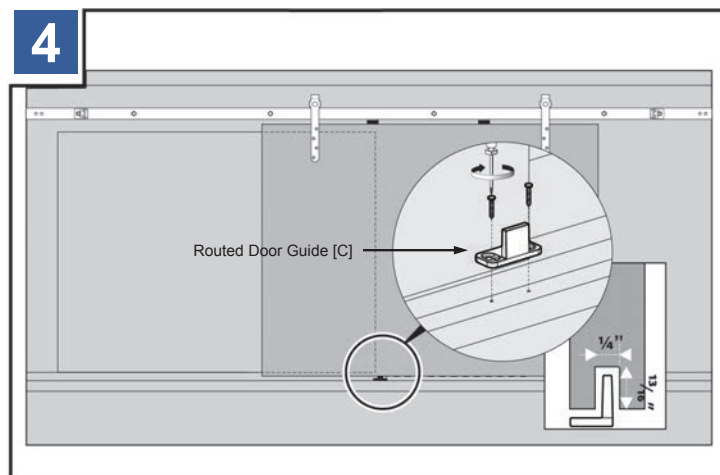
It is suggested that the roller strap [A] be mounted 5" from the edge of the door to the neck of the roller strap.



Attach the anti-jump disks [B] to the doors.



Attach the doors to the rail and lock the anti-jump disks [B] into position. Doors should be routed beforehand if using the routed door guide [C].



If using the routed door guide [C], install at this time.

Architectural Products by Outwater assumes no liability for improper installation.