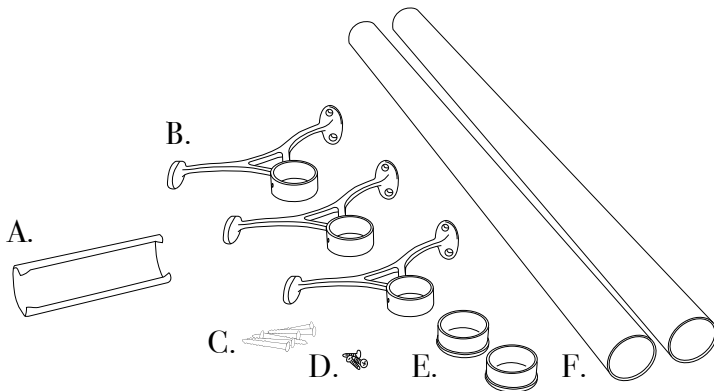


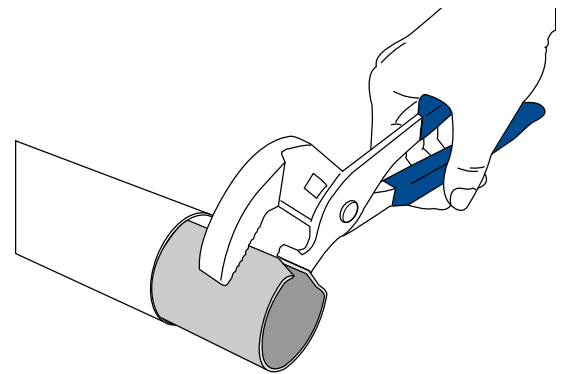
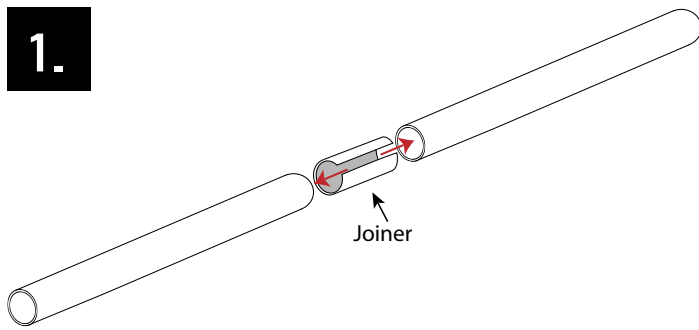
# BAR RAIL

INSTALLATION GUIDE FOR FOUR, SIX, AND EIGHT FOOT KITS



KIT CONTAINS:		FOUR FOOT KIT	SIX FOOT KIT	EIGHT FOOT KIT
A.	Tube Joiner	n/a	1	n/a
B.	Combination Bracket	2	3	3
C.	Screw	4	6	6
D.	Set Screw	2	3	3
E.	End Caps *	2	2	2
F.	Rail	1	2 [3 ft. lengths]	1

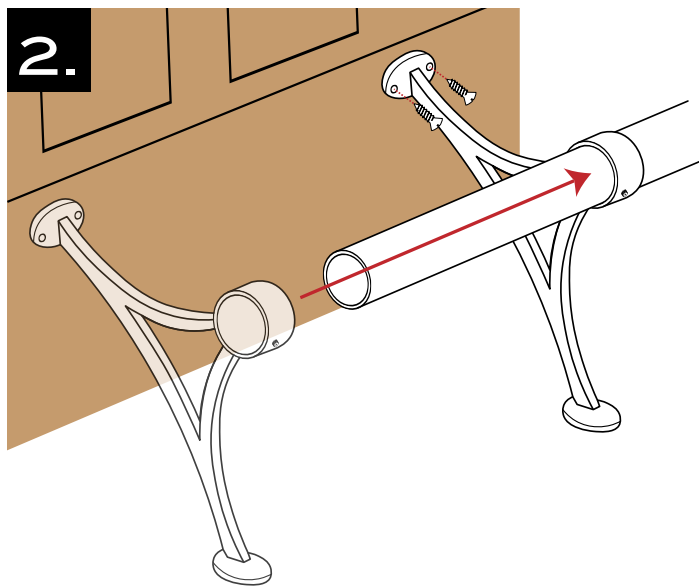
\* Flat or Domed (Depending of kit ordered.)



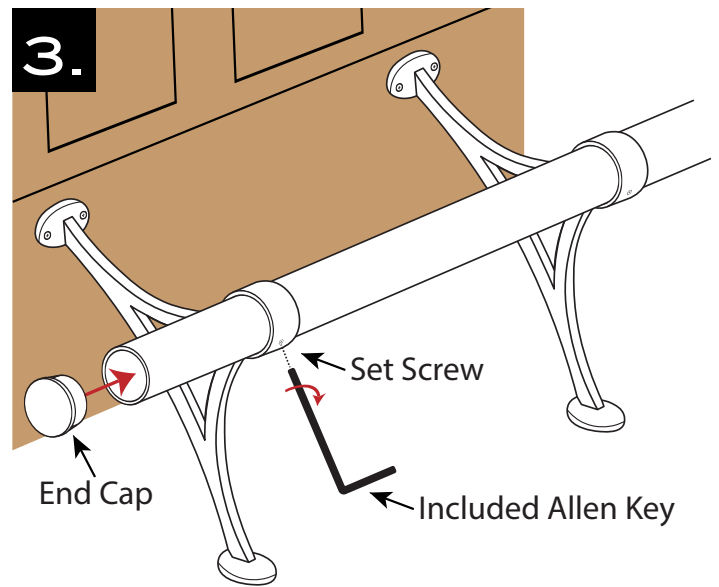
Use the joiner to join the two lengths of rail together.

**NOTE:** For four or eight foot kit, begin with step 2.

**TIP:** Use a wrench to crimp the joiner in order for it to fit inside the rail.



Slide the combination brackets onto the rail and secure them to the bar with the provided screws.



Secure the combination brackets in place with a set screw. Insert the end caps on each end of the rail.

**NOTE:** Be sure to cover the seam of the joined rail with a combination bracket.