

# BARN DOOR HARDWARE

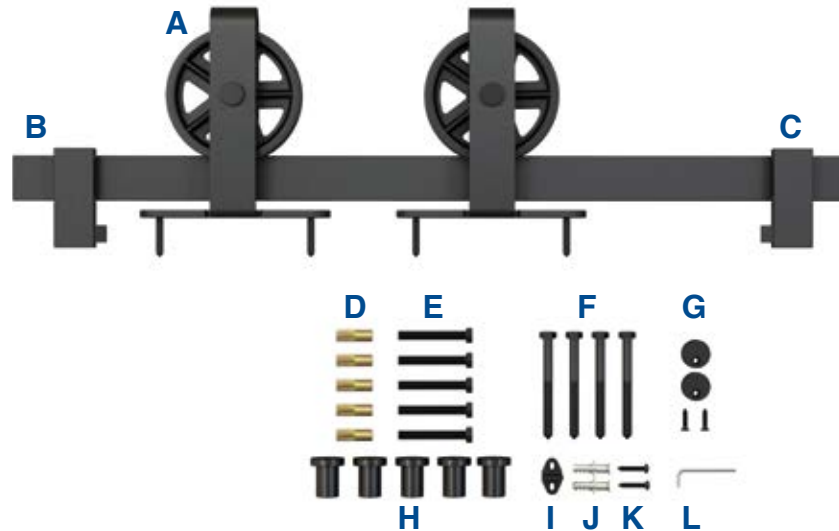
# CLASSIC TOP MOUNT

Hardware kit for sliding single wood door.

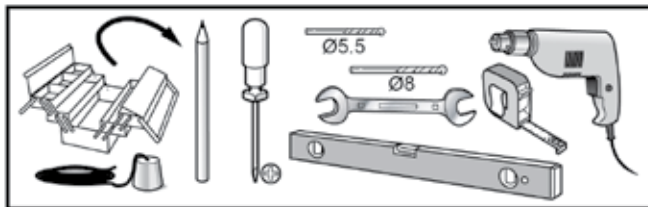
VINTAGE  
**INDUSTRIAL**

MODEL No. SDH-SW5IND-BLK

INSTALLATION MANUAL



## TOOLS REQUIRED

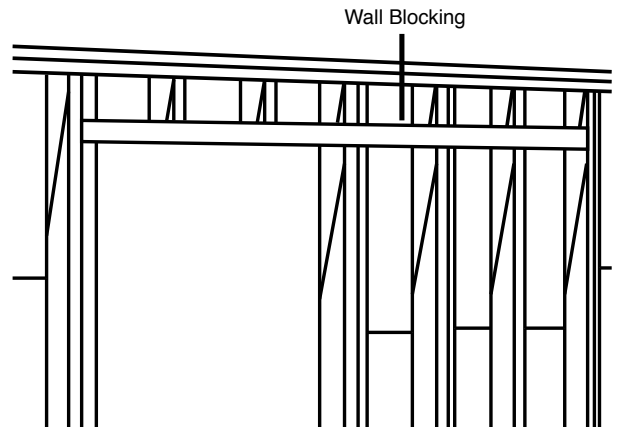
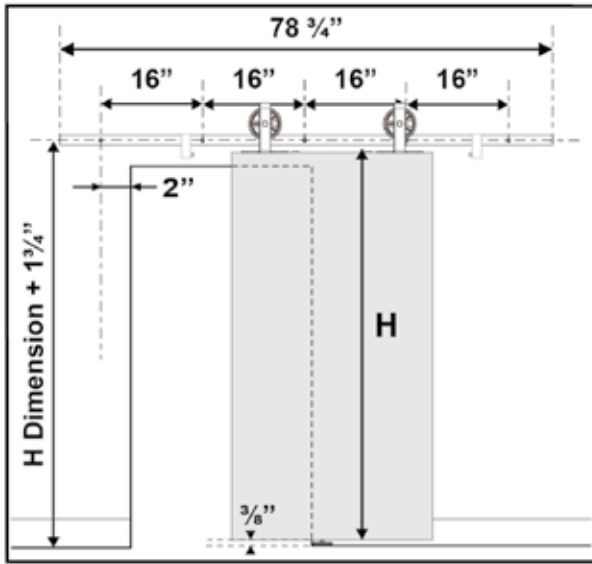


- Plumb Line
- Pencil
- Phillips Head Screwdriver
- 5.5mm Drill Bit
- 8mm Drill Bit
- Wrench
- Level
- Tape Measure
- Power Drill

## INCLUDED IN KIT

<b>A</b>	Door Roller Hardware	x2
<b>B</b>	78" Rail	x1
<b>C</b>	Door Stop	x2
<b>D</b>	M8x30 Wall Anchor	x5
<b>E</b>	M8x60 Bolt + Washer	x5
<b>F</b>	M8x90 Bolt	x4
<b>G</b>	Anti-Jump Disk + Mounting Screw	x2
<b>H</b>	Wall Bracket	x5
<b>I</b>	Routed Floor Guide	x1
<b>J</b>	Floor Anchor	x2
<b>K</b>	ST4.2x35 Screw	x2
<b>L</b>	2.5mm Allen Key	x1

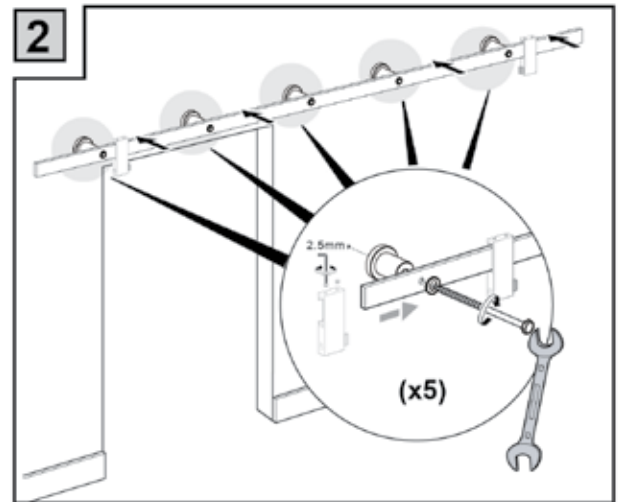
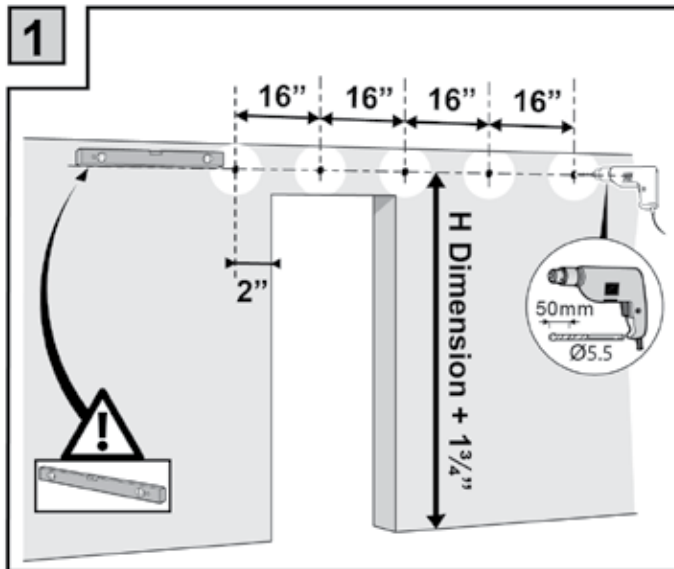
# VINTAGE INDUSTRIAL CLASSIC TOP MOUNT



## NOTES

Minimum door overlap on guide is 2"  
 To obtain maximum weight capacity, all fasteners must be mounted into solid wood studs or wall blocking or mounted to a header board.

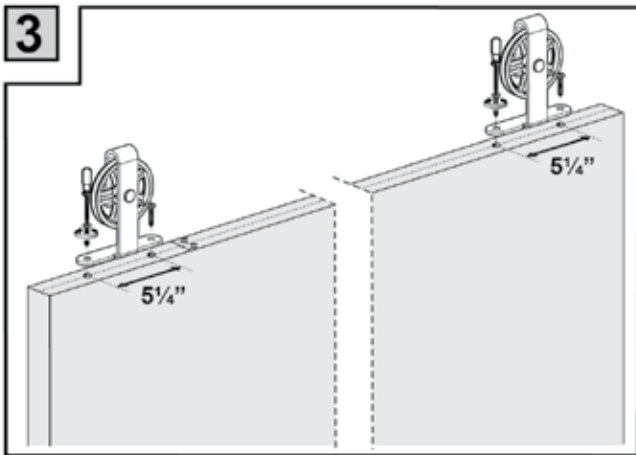
Consult a structural engineer if you have questions about what type of wall blocking is required.



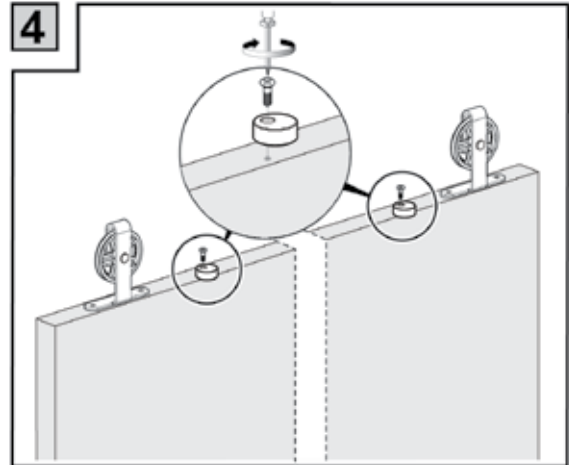
Attach the rail to the wall brackets using a wrench to fasten the bolts as shown.

Find the centerline of the track. Using a level, mark a horizontal line twice the door width long. Mark the bracket screw locations into the wall blocking. Attach the wall portion of the brackets as shown.

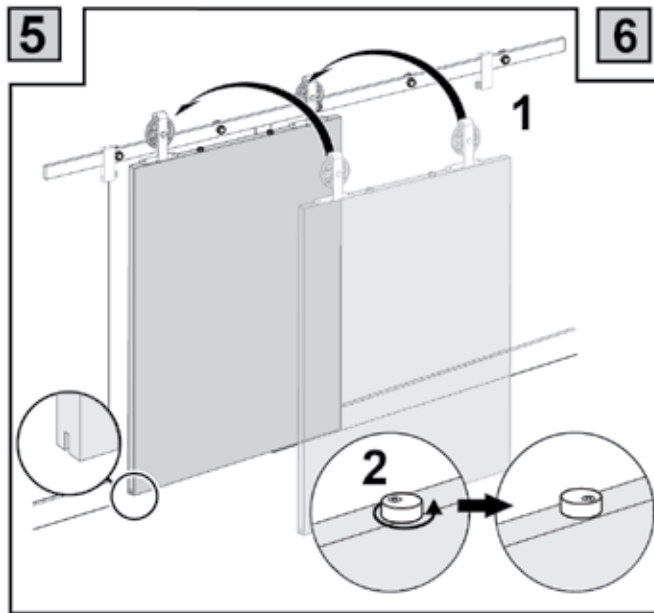
## VINTAGE INDUSTRIAL CLASSIC TOP MOUNT



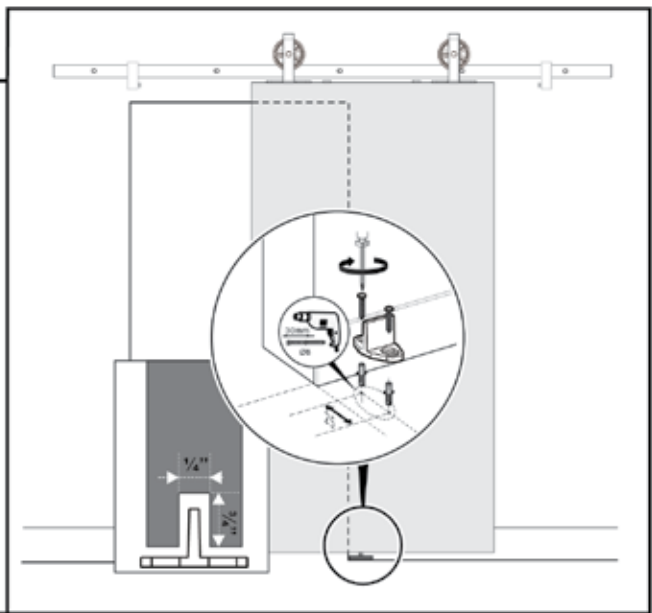
Drill holes in the top of the door 5-1/4" from the edge as pictured to accommodate the door rollers. The bottom of the door should be routed at this time in order to accept the floor guide.



Attach the anti-jump disks to the tops of the door.

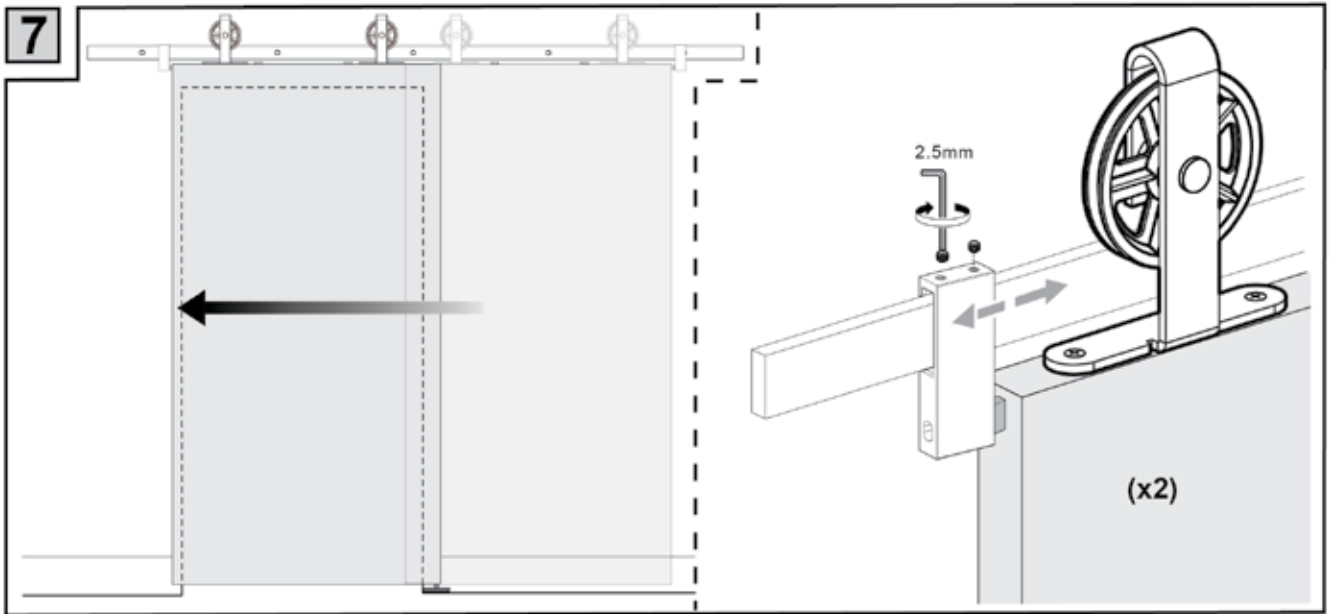


Attach the door to the rails making sure that the anti-jump disks are engaged to avoid a serious accident.



Plumb the door and mark the positions of the floor guides. Mount the floor guides to the floor.

## VINTAGE INDUSTRIAL CLASSIC TOP MOUNT



Adjust the door stops accordingly using the provided 2.5mm Allen key.