

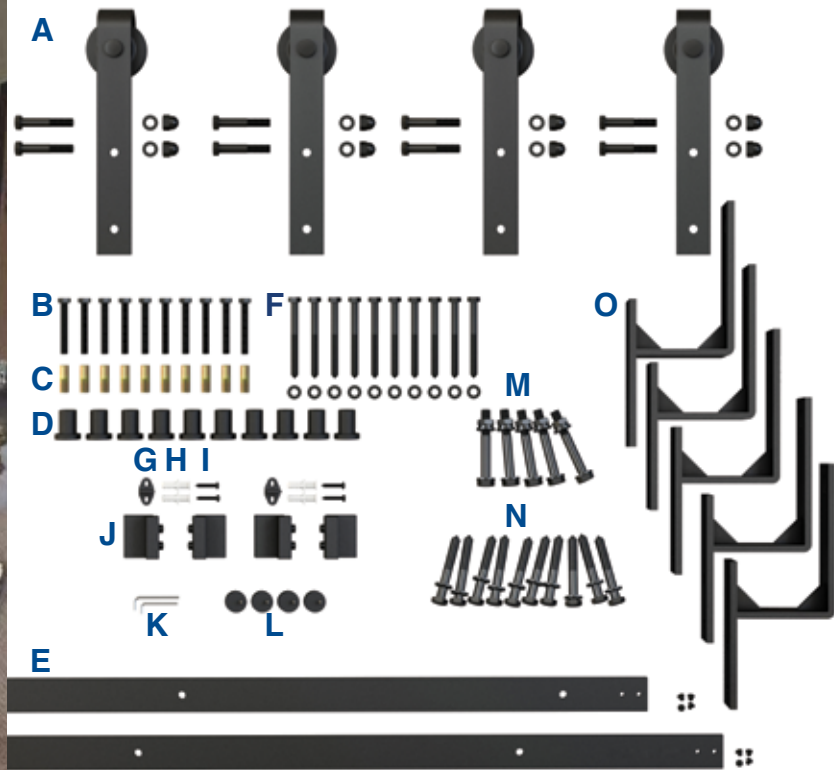
# BARN DOOR HARDWARE

# CLASSIC STRAP

Bypassing hardware kit for double sliding wood doors.

MODEL No. BP-DW4-BLK

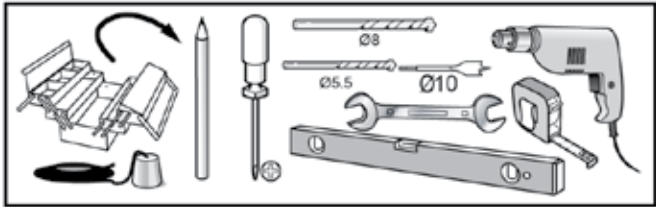
## INSTALLATION MANUAL



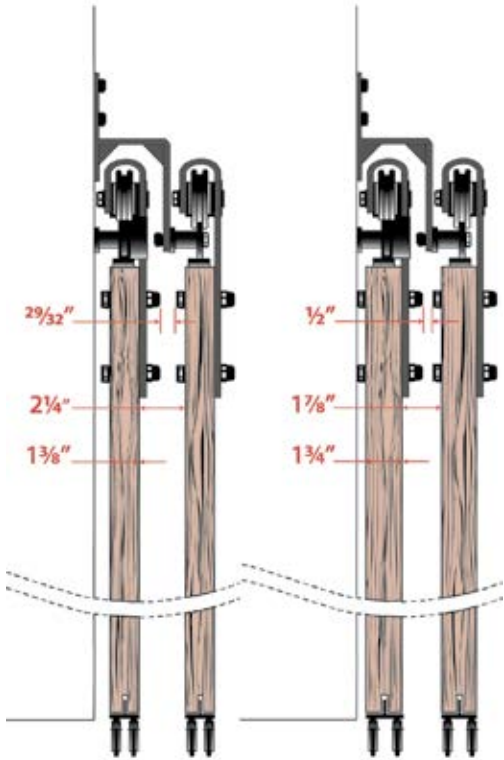
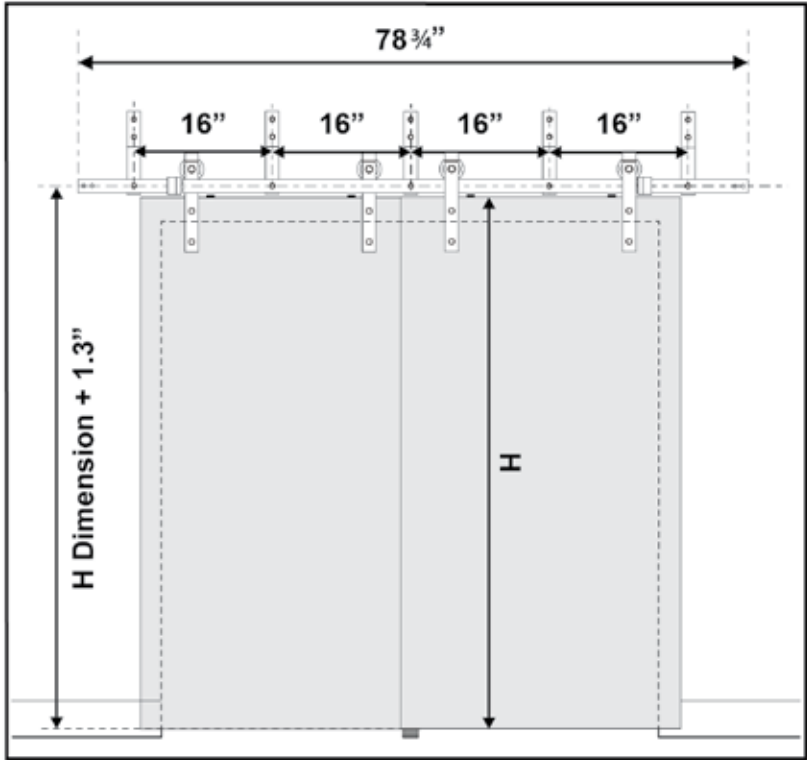
### INCLUDED IN KIT

<b>A</b>	Door Roller Hardware	x4	<b>F</b>	ST8x90 Bolt + Washer	x10	<b>K</b>	2.5mm Allen Keys	x1
<b>B</b>	M8x60 Bolt	x10	<b>G</b>	Routed Floor Guide	x2	<b>L</b>	Anti-Jump Disk	x4
<b>C</b>	M8x30 Wall Anchor	x10	<b>H</b>	Floor Anchor	x4	<b>M</b>	M8x60 Bolt + Nut	x5
<b>D</b>	Wall Bracket	x10	<b>I</b>	ST4.2x25 Screw	x4	<b>N</b>	M8x60 Bolt + Washer	x10
<b>E</b>	78 3/4" Rail	x2	<b>J</b>	Door Stop	x4	<b>O</b>	Bypassing Bracket	x5

TOOLS REQUIRED



- Plumb Line
- Pencil
- Phillips Head Screwdriver
- 8mm Drill Bit
- 5.5mm Drill Bit
- 10mm Routing Drill Bit
- Wrench
- Level
- Tape Measure
- Power Drill

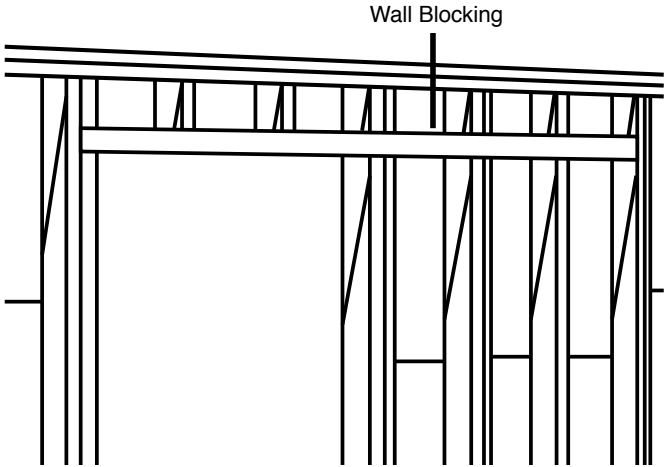
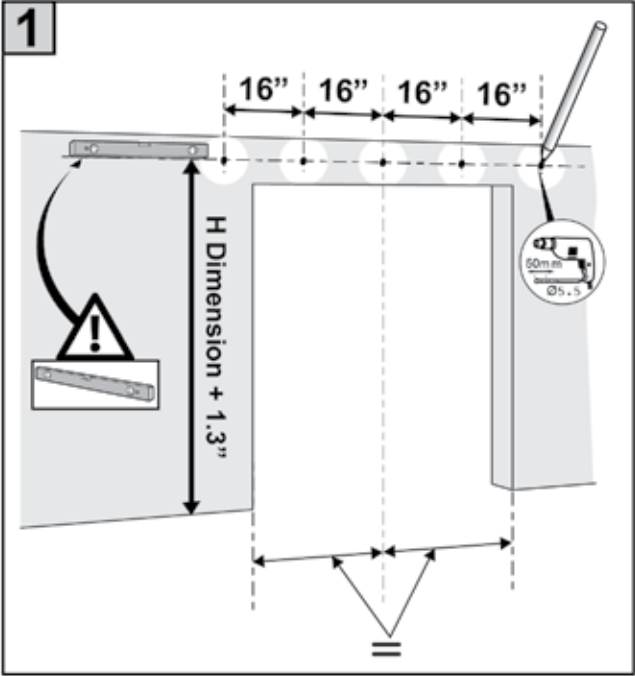


NOTES

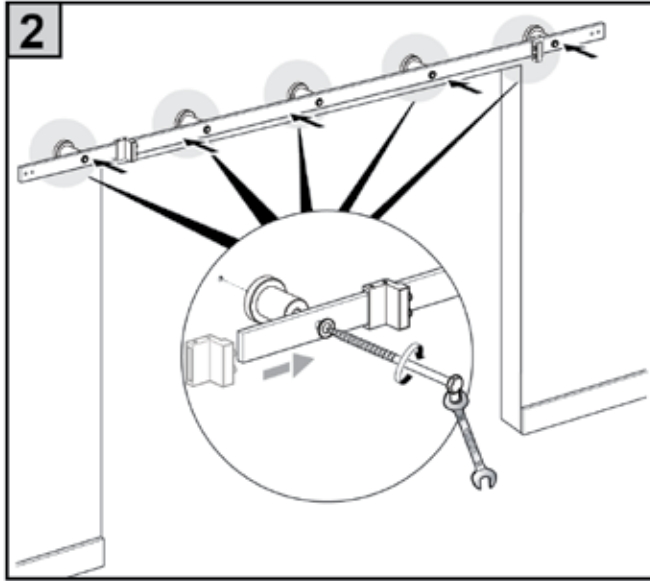
To obtain maximum weight capacity, all fasteners must be mounted into solid wood studs or wall blocking or mounted to a header board.

Consult a structural engineer if you have questions about what type of wall blocking is required.

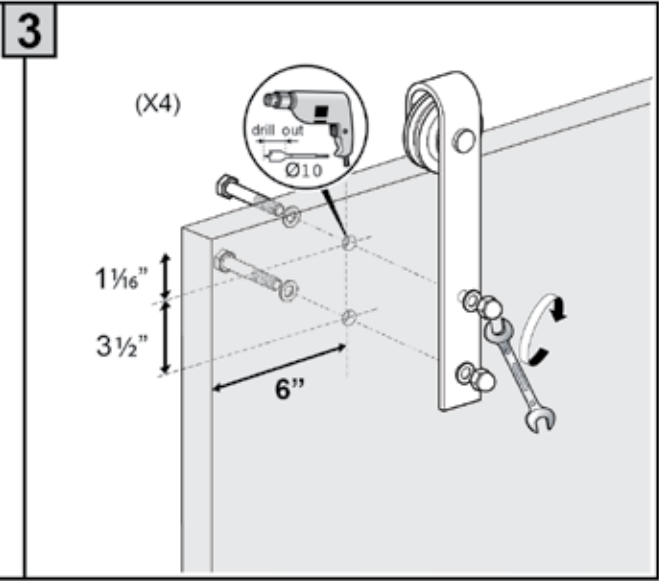
**BYPASSING CLASSIC STRAP**



Find the centerline of the track. Using a level, mark a horizontal line twice the door width long. Mark the bracket screw locations into the wall blocking. Attach the wall portion of the brackets as shown.

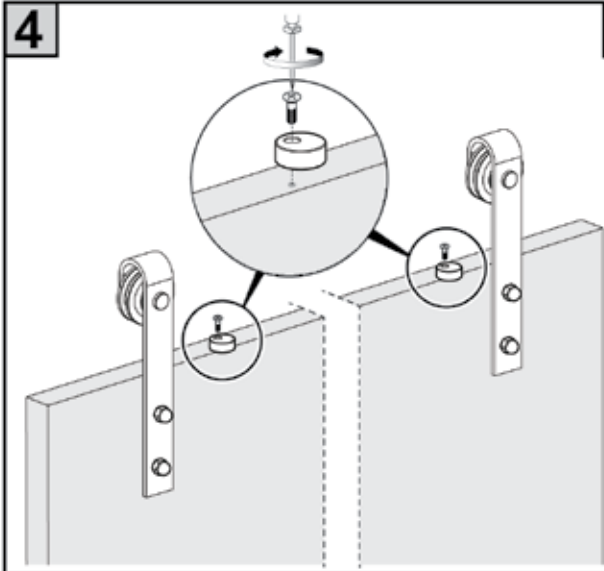


Insert the door stops to the rail. One at each end, then attach the rail to the wall brackets using a wrench to fasten the bolts as shown.

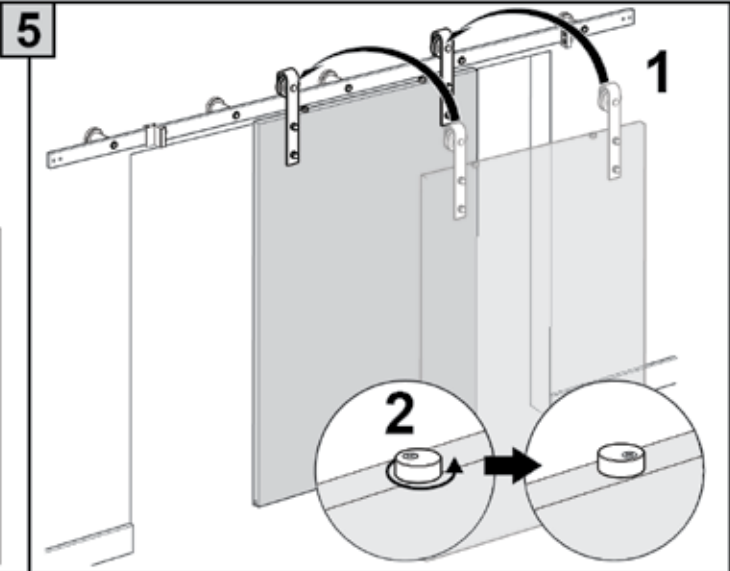


Drill out holes in the doors using a 10mm routing drill bit as pictured. The bottom of the doors should be routed at this time in order to accept the floor guide.

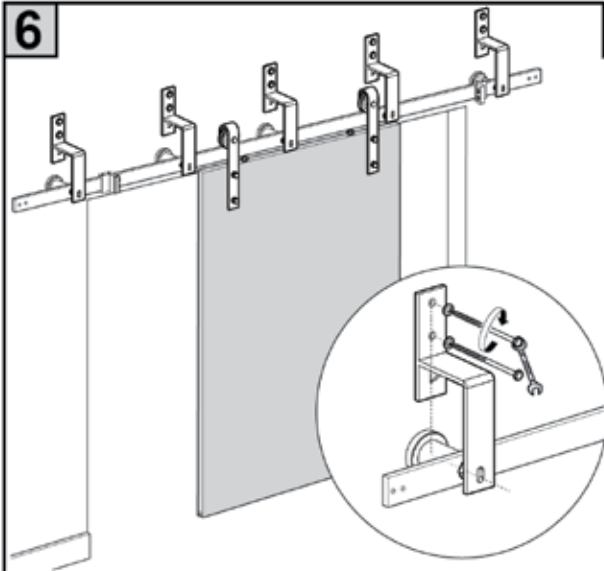
**BYPASSING CLASSIC STRAP**



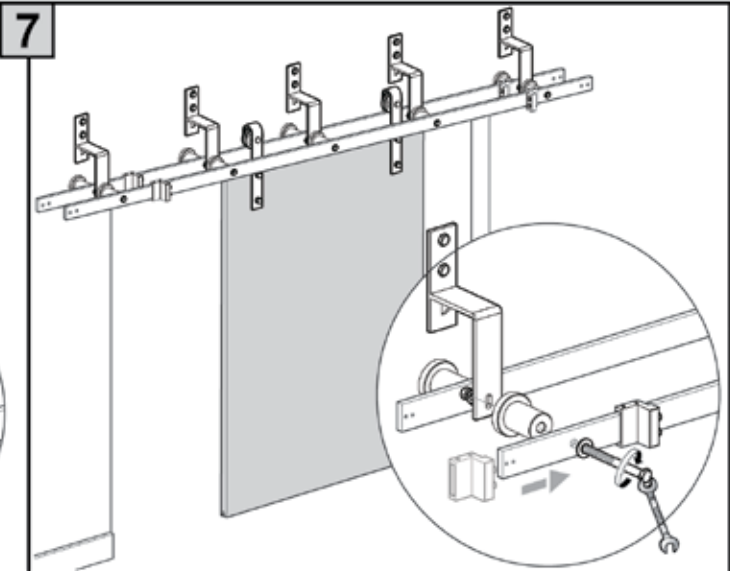
Attach the anti-jump disks to the tops of the door.



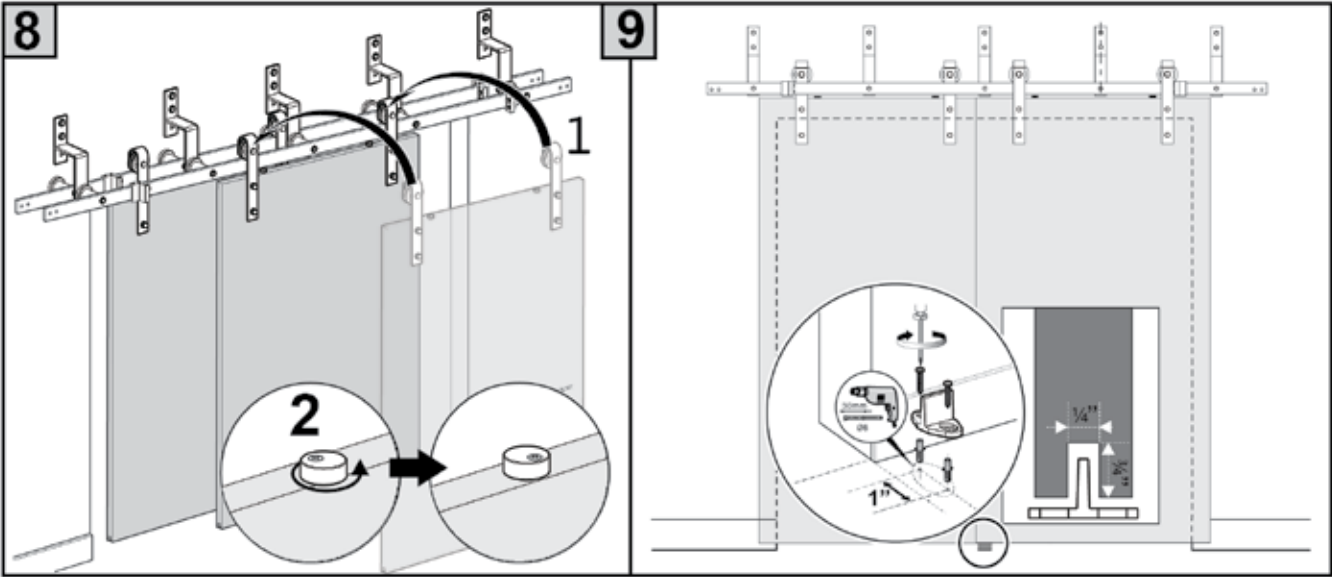
Attach the door to the rails making sure that the anti-jump disks are engaged to avoid a serious accident.



Use a wrench to attach the bypassing brackets to the wall and rail as pictured.

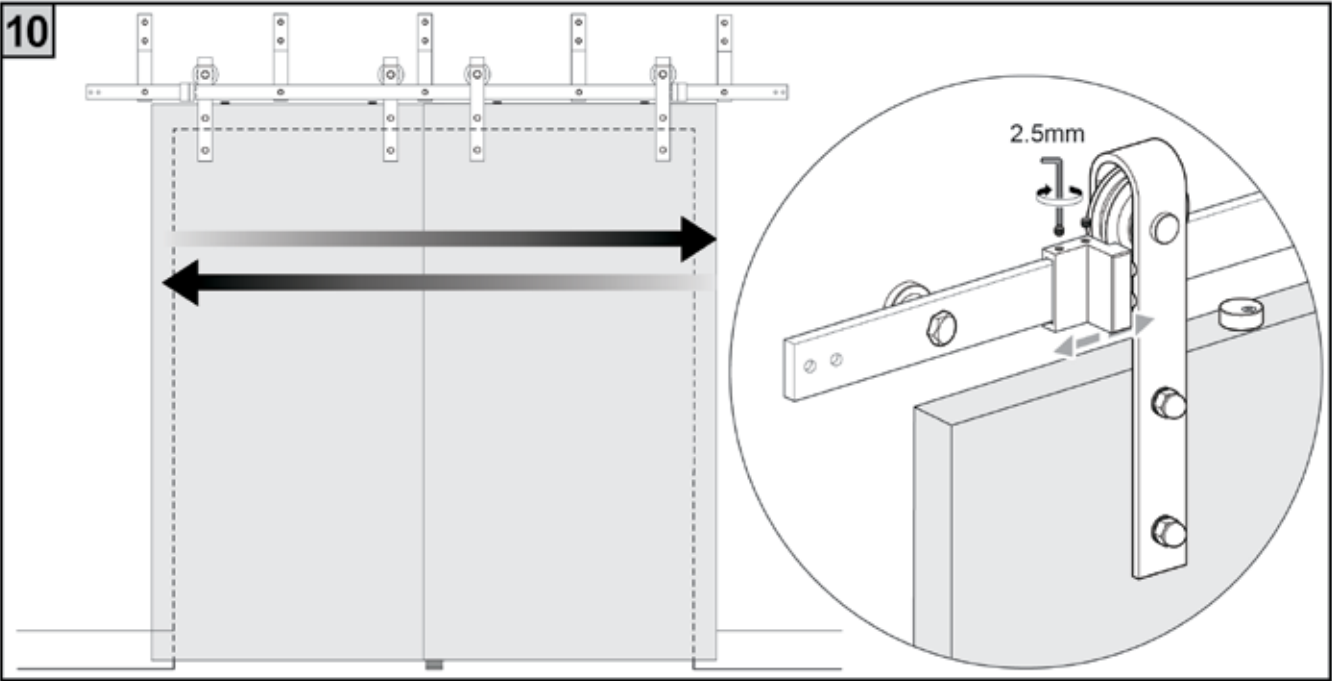


Insert the door stops to the rail. One at each end and attach the second rail to the bypassing brackets as shown.

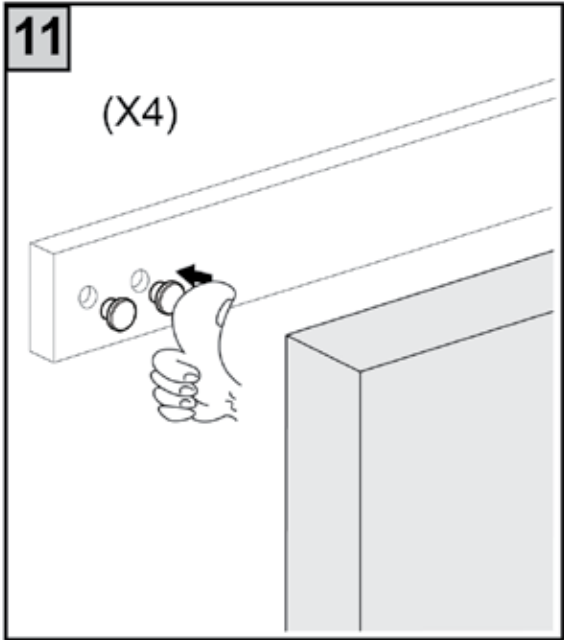


Attach the door to the rails making sure that the anti-jump disks are engaged to avoid a serious accident.

Plumb the door and mark the positions of the floor guides. Mount the floor guides to the floor.



Adjust the door stops accordingly using the provided 2.5mm Allen key.



Install the end cap covers.

