

# THE TOWNHOUSE

Hardware kit for sliding single wood door.

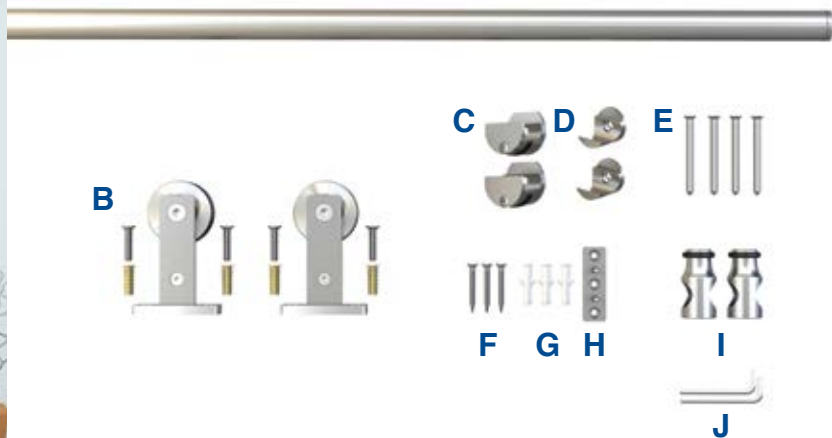
304 Grade Stainless Steel

MODEL No. SDH-SW03-SS

## INSTALLATION MANUAL

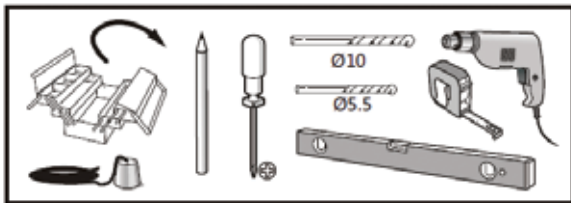


A



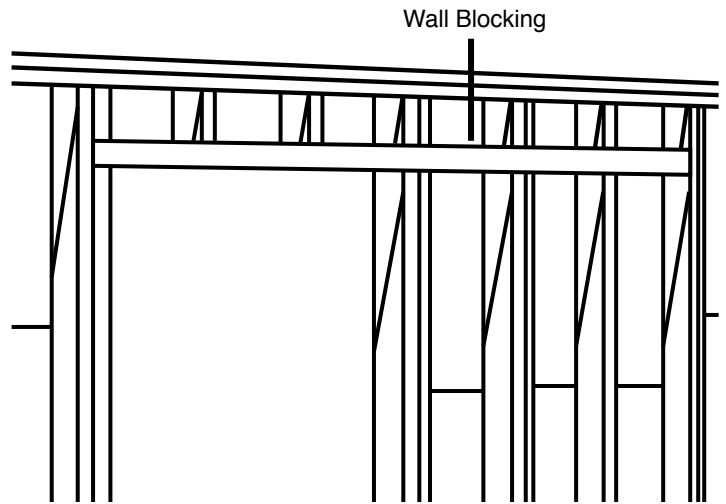
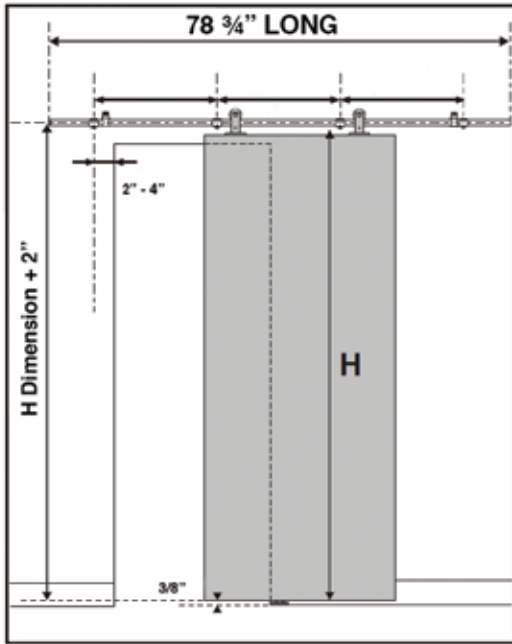
### TOOLS REQUIRED

### INCLUDED IN KIT



- Plumb Line
- Pencil
- Phillips Head Screwdriver
- 10mm Drill Bit
- 5.5mm Drill Bit
- Level
- Tape Measure
- Power Drill

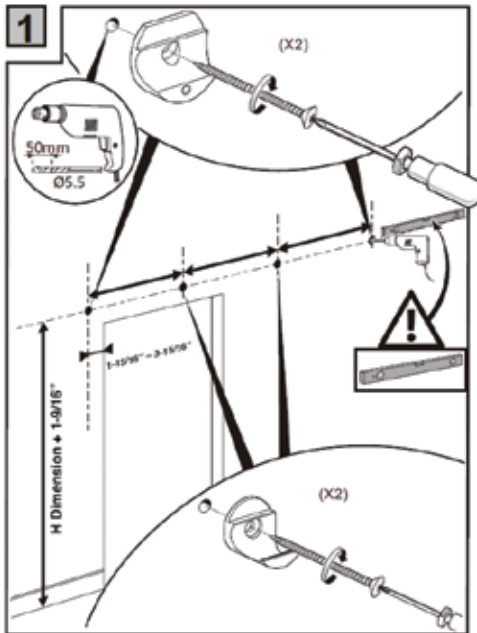
<b>A</b>	78-3/4" Rail	x1
<b>B</b>	Door Roller Hardware	x2
<b>C</b>	End Bracket	x2
<b>D</b>	Center Bracket	x2
<b>E</b>	ST4.8x50 Bolt	x4
<b>F</b>	ST5.5x32 Screw	x3
<b>G</b>	Floor Anchor	x3
<b>H</b>	Routed Floor Guide	x1
<b>I</b>	Door Stops	x2
<b>J</b>	4mm/6mm Allen Keys	x1



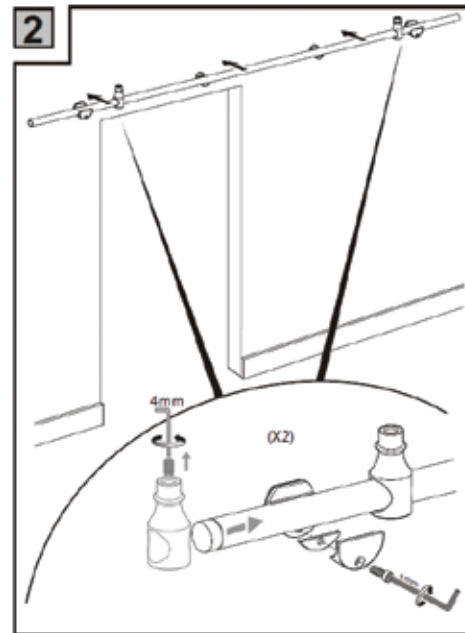
NOTES

1. To obtain maximum weight capacity, all fasteners must be mounted into solid wood studs or wall blocking or mounted to a header board.
2. Adjustable mounting brackets allow for standard 16" U.S. stud spacing, or any variation.

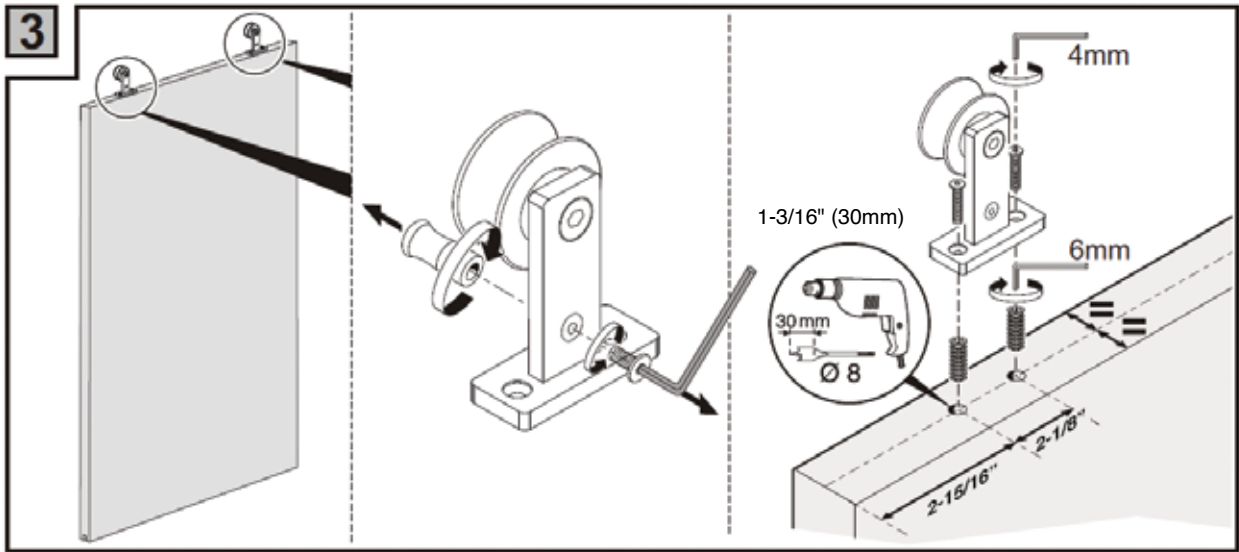
Find the centerline of the track. Using a level, mark a horizontal line twice the door width long. Mark the bracket screw locations into the wall blocking. Attach the wall portion of the brackets as shown. Consult a structural engineer if you have questions about what type of wall blocking is required.



Suggested wall bracket spacing. Brackets must be secured into wall blocking.

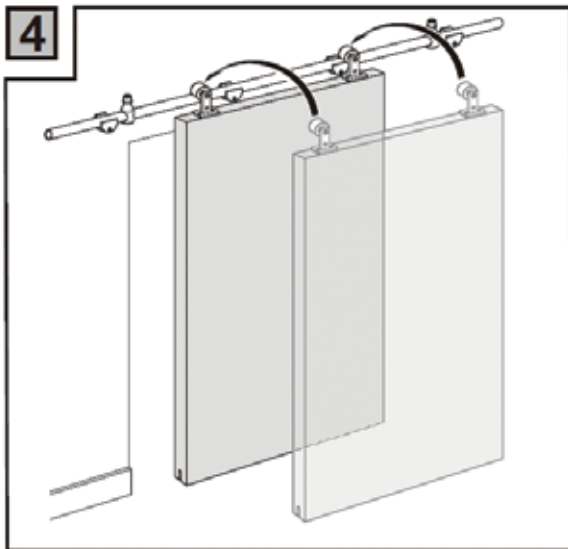


Attach rail to wall as shown.

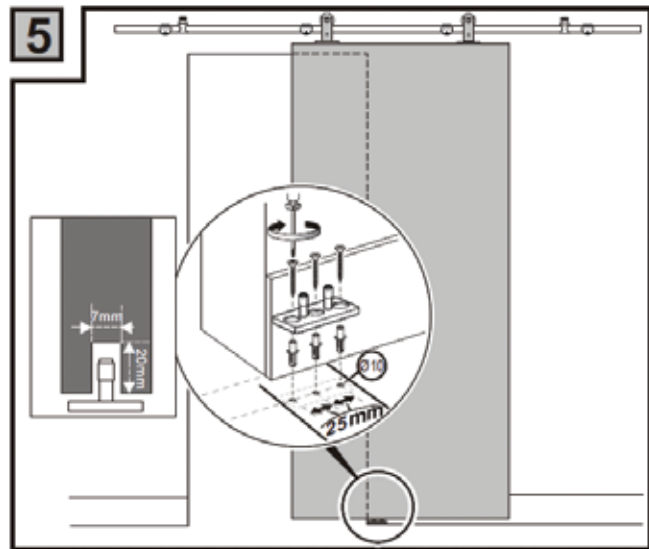


Remove the anti-rise pin using the provide Allen key.

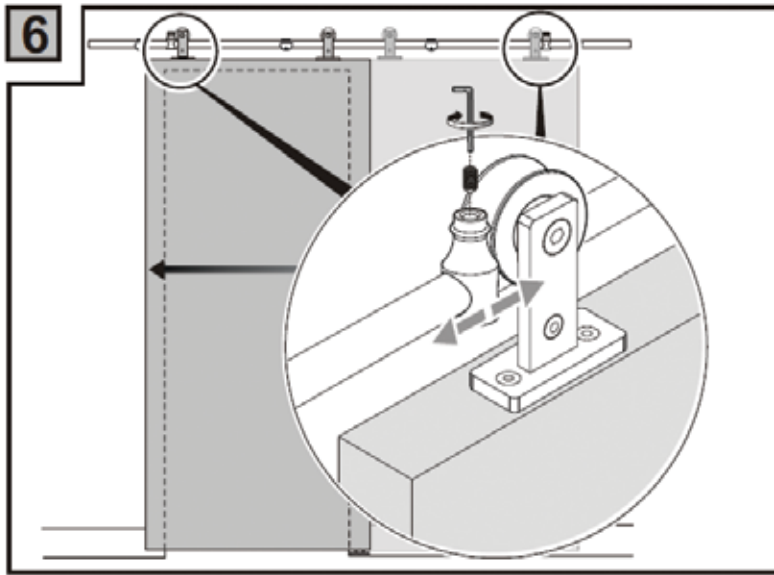
Drill holes in the top of the door from the edge as pictured to accommodate the door rollers. The bottom of the doors should be routed at this time in order to accept the floor guide.



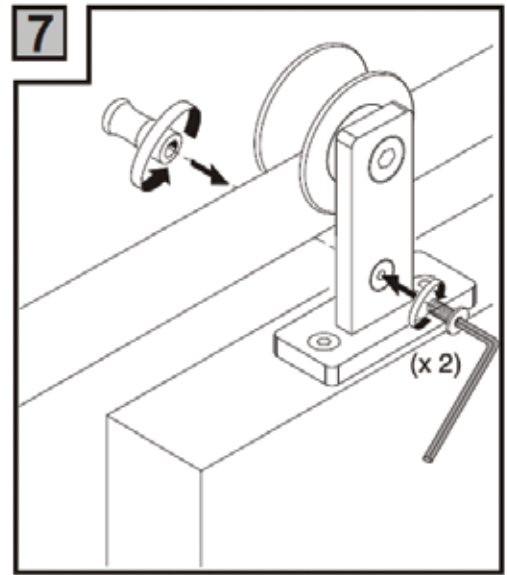
Position the doors on the rail.



Plumb the door and mark the positions of the floor guides. Mount the floor guides to the floor.



Adjust the door stops accordingly. Tighten the set screw with sufficient force to drive the set screw into the bar after making the final adjustment.



Reattach the anti-rise pin to the door rollers

