

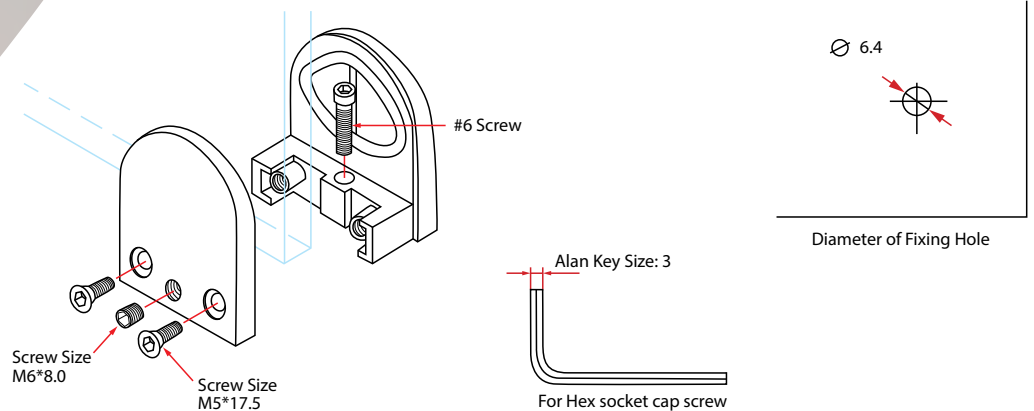
# Signage Grips

## Installation Instructions

### SSFZ-618F-SC

When installing on the wall use #6 screw and anchor provided. This Grip is good for glass thickness from 3/16" to 3/8".

Use a hex key (not provided) to loosen the two external screws and middle screw. Insert your glass into the grip. While keeping the glass in place, slightly tighten the two side screws to hold the panel, but not all the way. Then tighten the middle screw all the way in to accommodate your glass thickness. Finally, tighten the side screws all the way to fully secure the glass.



### SSF-618FADJ-SC

When installing on the wall use #6 screw and anchor provided for mounting.

This Grip is good for glass thickness from 1/4" to 5/16".

When installing, start by loosening the two side screws and insert your glass. Then insert rubber pads (that are provided in different thicknesses to accommodate the different glass sizes). Once pads have been inserted to secure glass, save or discard any extra pads. Then fully tighten side screws to secure glass in place.

