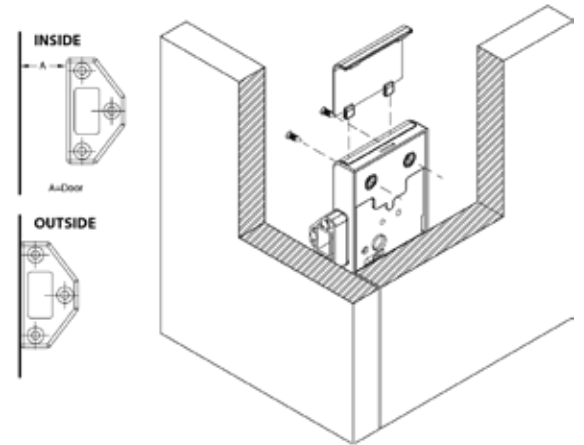
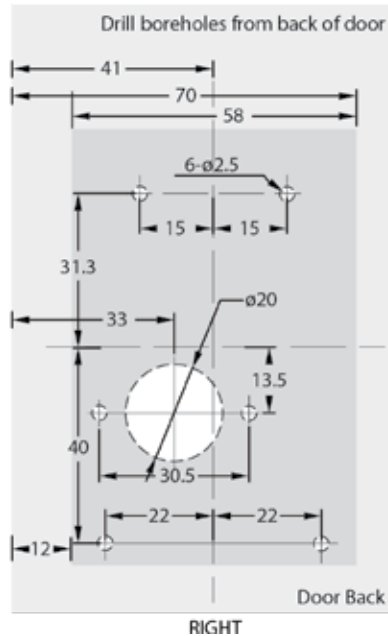
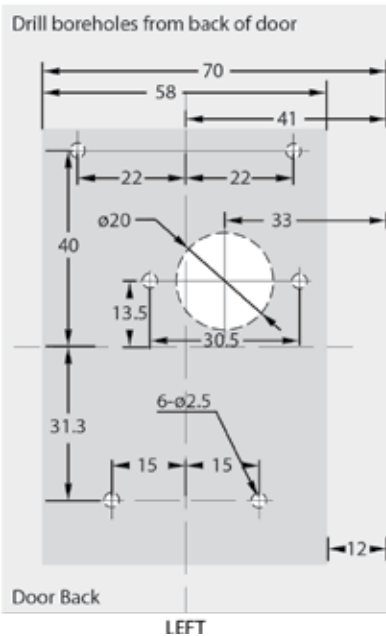
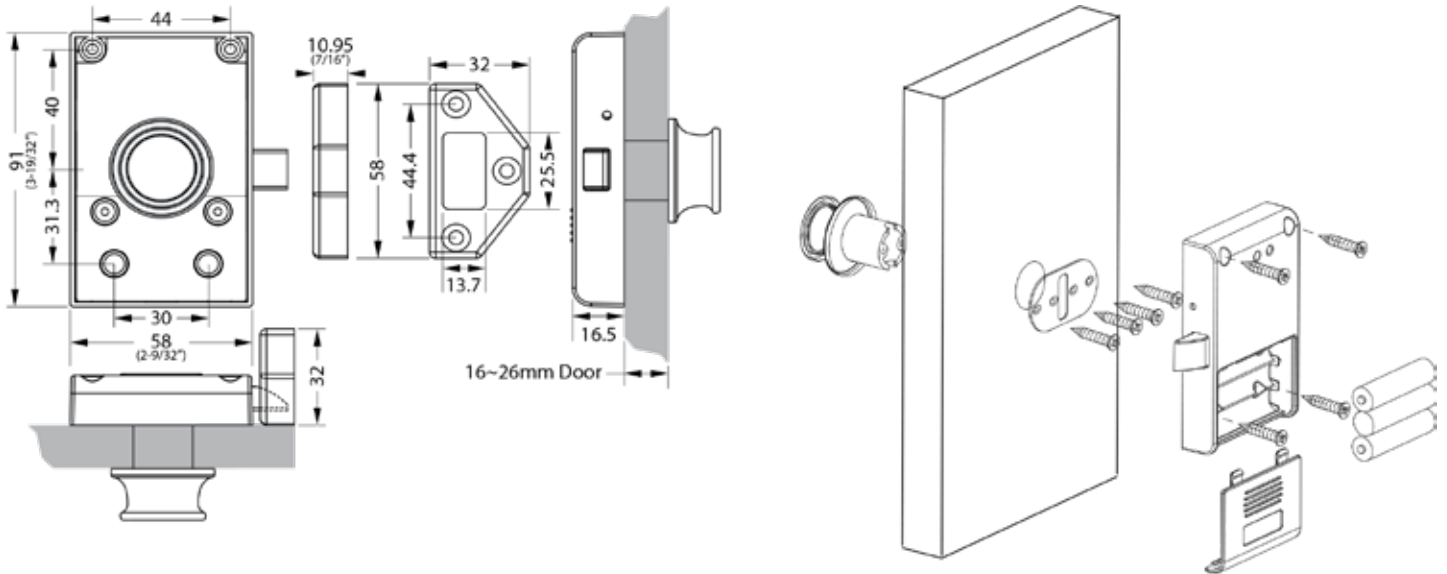


## INSTALLATION INSTRUCTIONS DGL-RF-KNOB-SL



### MASTER USER:

- Press **B** for 5 seconds
- Lock will flash blue light
- Tap management card against lock
- Lock will flash blue light again
- **Management card is set**

### USER CARD or SERVICE CARD:

- Tap management card to lock
- Lock will flash light
- While flashing, tap user card to lock
- Light will flash light again
- **User card is set (Can set multiple user cards at once)**

### DELETING USER CARD or SERVICE CARD:

- Place management card to the lock
- A blue light will flash with a beep sound, indicating lock is open
- Place a user card to the lock
- Light will flash with a beep sound
- **User card is deleted when light goes off**

**A long beep sound with a flashing red light indicates a low battery.**