

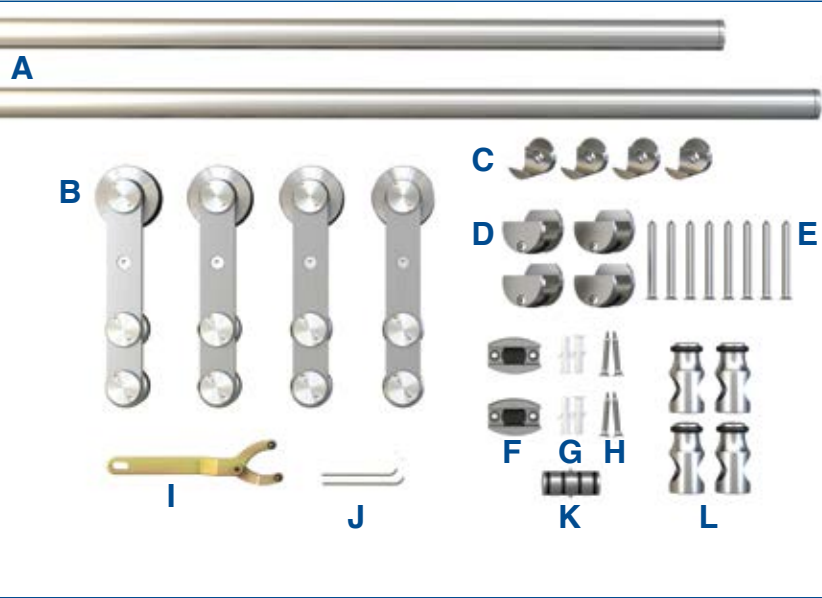
THE SKYLINE II

Hardware kit for sliding double glass doors.

304 Grade Stainless Steel

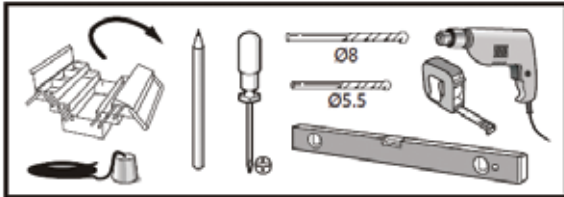
MODEL No. SDH-DG02-SS

INSTALLATION MANUAL



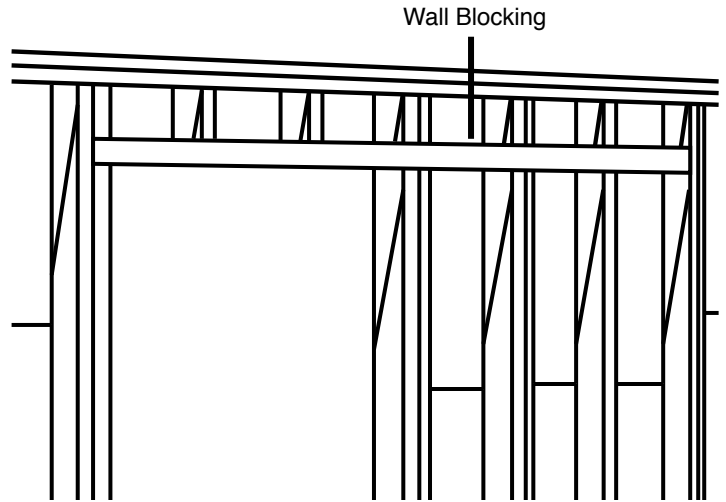
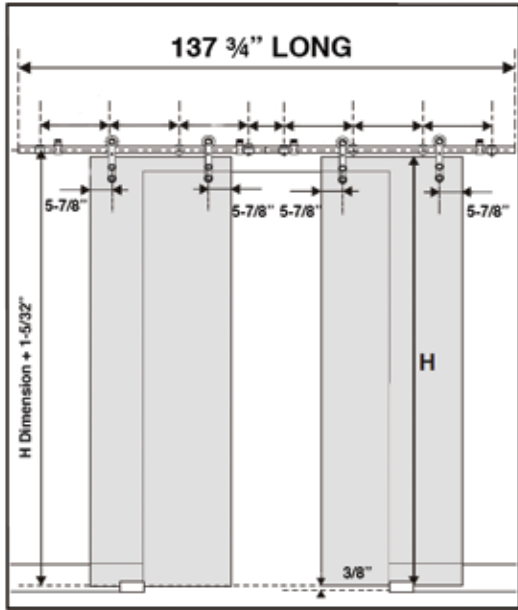
TOOLS REQUIRED

INCLUDED IN KIT



- Plumb Line
- Pencil
- Phillips Head Screwdriver
- 8mm Drill Bit
- 5.5mm Drill Bit
- Level
- Tape Measure
- Power Drill

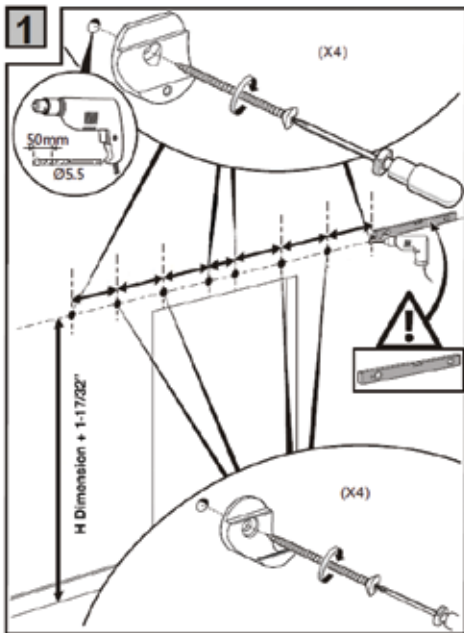
A	67-7/8" Rail	x2
B	Door Roller Hardware	x4
C	Center Bracket	x4
D	End Bracket	x4
E	ST4.8x50 Bolt	x8
F	Floor Guide	x2
G	Floor Anchor	x4
H	ST4.8x32 Screw	x4
I	Adjustable Installation Wrench	x1
J	4mm/8mm Allen Keys	x1
K	Splicer	x1
L	Door Stops	x4



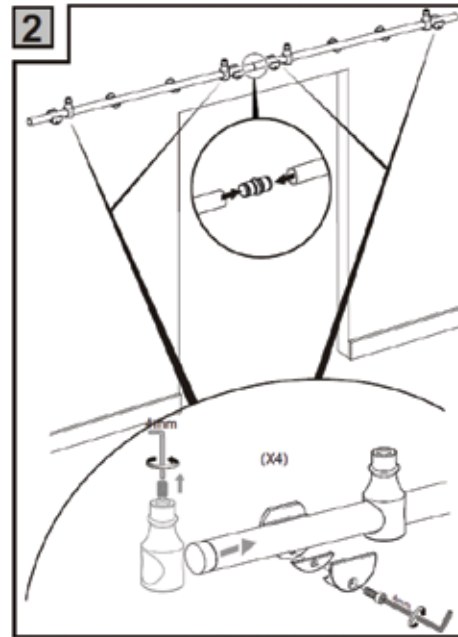
NOTES

1. To obtain maximum weight capacity, all fasteners must be mounted into solid wood studs or wall blocking or mounted to a header board.
2. Adjustable mounting brackets allow for standard 16" U.S. stud spacing, or any variation.

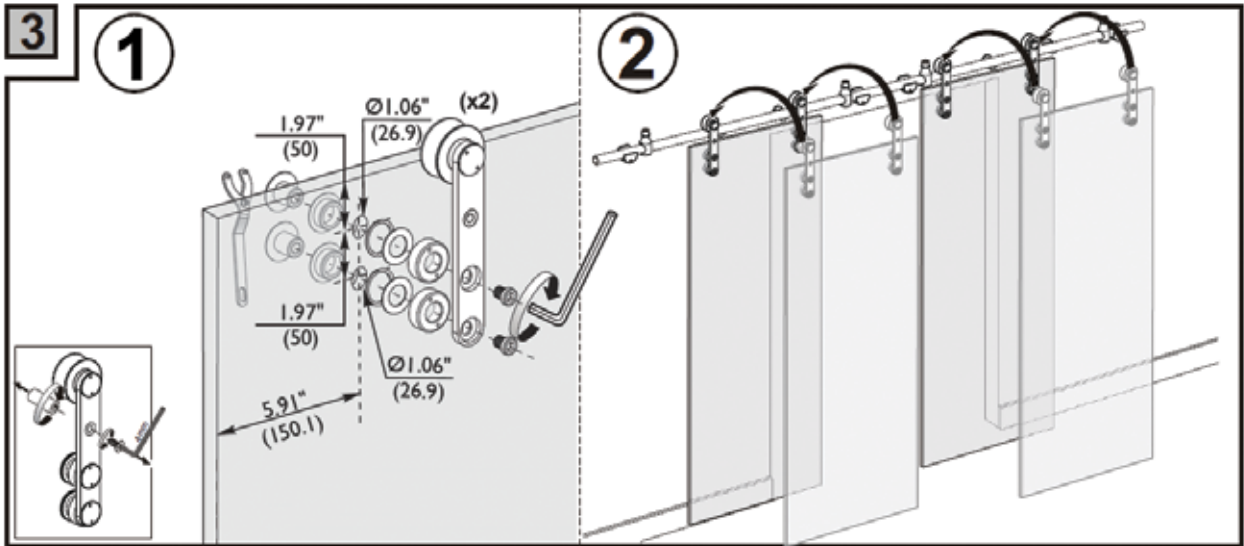
Find the centerline of the track. Using a level, mark a horizontal line twice the door width long. Mark the bracket screw locations into the wall blocking. Attach the wall portion of the brackets as shown. Consult a structural engineer if you have questions about what type of wall blocking is required.



Suggested wall bracket spacing. Brackets must be secured into wall blocking.

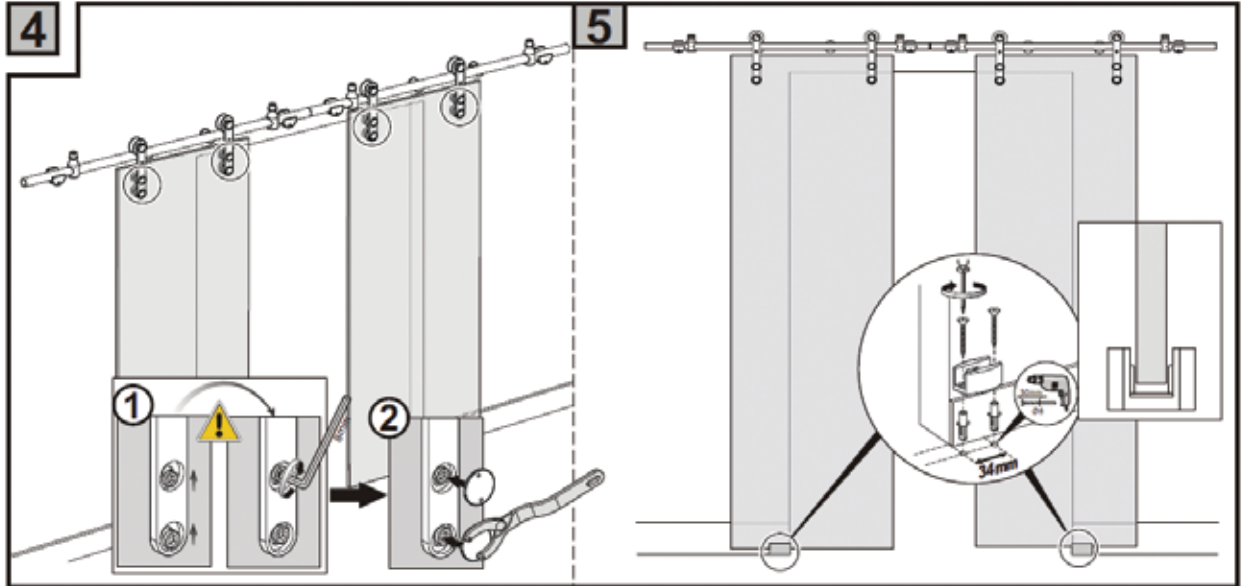


Attach rail to wall as shown.

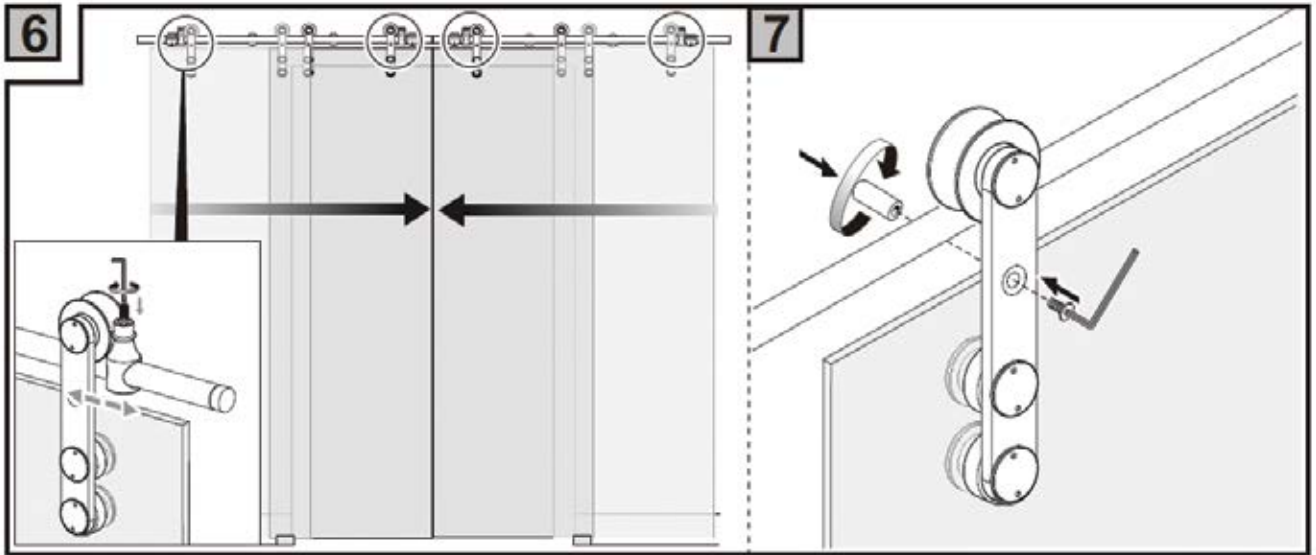


Remove the anti-rise pin and drill holes centered in door thickness. Mount the rolling straps to the door.

Position the doors on the rail.



Plumb the door and mark the positions of the floor guides. Mount the floor guides to the floor.



Adjust the door stops accordingly. Tighten the set screw with sufficient force to drive the set screw into the bar after making the final adjustment.

Reattach the anti-rise pin to the door rollers

